
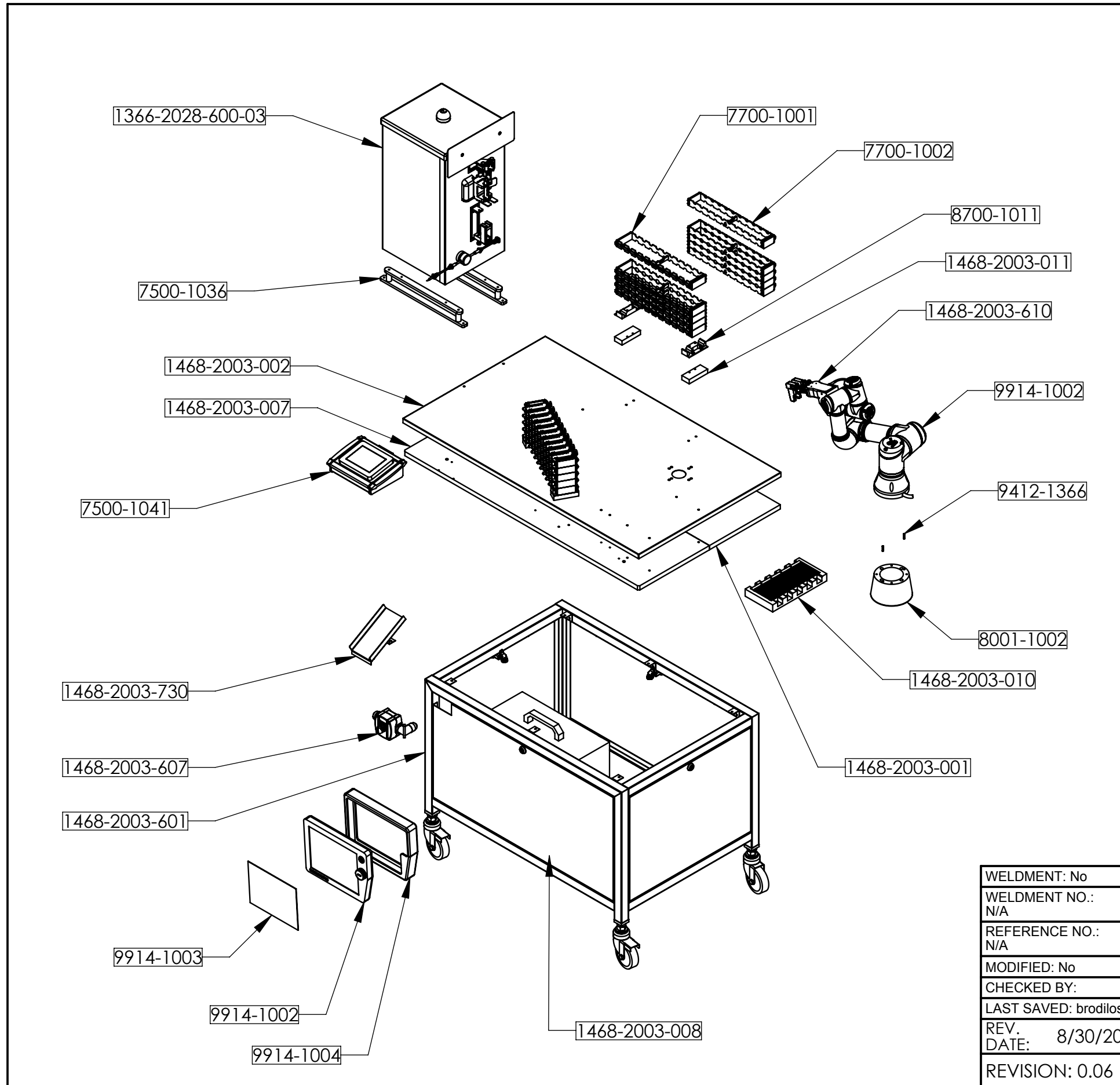



| | | | | | |
|-----------------------------------|---|--------------------|--------------------|---|----------------|
| WELDMENT: No | Tolerance Unless Otherwise Specified | | |  | SCALE: 1:12 |
| WELDMENT NO.: N/A | Basic Dimension | 2 Place Decimal | 3 Place Decimal | | DATE: 02/06/17 |
| REFERENCE NO.: N/A | Up to 6" | ±.01 | ±.005 | MATERIAL: | |
| MODIFIED: No | 6" To 24" | ±.02 | ±.010 | QTY: 1 | FINISH: |
| CHECKED BY: | 24" and Up | ±.03 | ±.015 | TITLE: ROBOTIC SYRINGE SYSTEM | |
| LAST SAVE: B. Brodness | RADIUS ALL CORNERS 1/64" MIN. TO 1/32" MAX DEBUR ALL SHARP EDGES | | | DRAWN BY: B.E.R. | |
| REV. DATE: 8/30/2017 | | | | PART NO. 1468-2003-600 SH 1 OF 2 | |
| REVISION: 0.06 | | | | | |



| Number | QTY. | DESCRIPTION |
|------------------|------|--------------------------------------|
| 1366-2028-600-03 | 1 | ROBOT FED MINI SMART FILLER ASSEMBLY |
| 1468-2003-001 | 1 | TOP PLATE REAR SIDE |
| 1468-2003-002 | 1 | TOP PLATE COVER |
| 1468-2003-007 | 1 | TOP PLATE FRONT SIDE |
| 1468-2003-008 | 1 | FLOOR PANEL |
| 1468-2003-010 | 1 | CAP TRAY HOLDER |
| 1468-2003-011 | 4 | TRAY BASE SPACER |
| 1468-2003-601 | 1 | BASE FRAME ASSEMBLY |
| 1468-2003-607 | 1 | ON OFF SWITCH ASSEMBLY |
| 1468-2003-610 | 1 | GRIPPER ASSEMBLY |
| 1468-2003-730 | 1 | DISCHARGE CHUTE WELDMENT |
| 7500-1036 | 2 | FILLING TOWER SUPPORT MOUNT |
| 7500-1041 | 1 | HMI ASSEMBLY |
| 7700-1001 | 10 | 10 mL SYRINGE STACK TRAY |
| 7700-1002 | 10 | 5 mL SYRINGE STACK TRAY |
| 8001-1002 | 1 | ROBOT SUPPORT PEDESTAL |
| 8700-1011 | 4 | SYRINGE TRAY BASE 5 AND 10 ML |
| 9412-1366 | 2 | DOWEL PIN |
| 9914-1002 | 1 | COLLABORATIVE ROBOTIC ARM |
| 9914-1003 | 1 | SCREEN PROTECTOR |
| 9914-1004 | 1 | PENDENT FRAME - BUMPER |

| | | | | | |
|------------------------|---|-----------------|-----------------|---|----------------|
| WELDMENT: No | Tolerance Unless Otherwise Specified | | |  | SCALE: 1:16 |
| WELDMENT NO.: N/A | Basic Dimension | 2 Place Decimal | 3 Place Decimal | | DATE: 02/06/17 |
| REFERENCE NO.: N/A | Up to 6" | ±.01 | ±.005 | MATERIAL: | |
| MODIFIED: No | 6" To 24" | ±.02 | ±.010 | QTY: 1 | FINISH: |
| CHECKED BY: | 24" and Up | ±.03 | ±.015 | TITLE: ROBOTIC SYRINGE SYSTEM EDGE | |
| LAST SAVED: brodilosso | RADIUS ALL CORNERS 1/64" MIN. TO 1/32" MAX DEBUR ALL SHARP EDGES | | | DRAWN BY: B.E.R. | |
| REV. DATE: 8/30/2017 | | | | PART NO. 1468-2003-600 SH 2 OF 2 | |
| REVISION: 0.06 | | | | | |