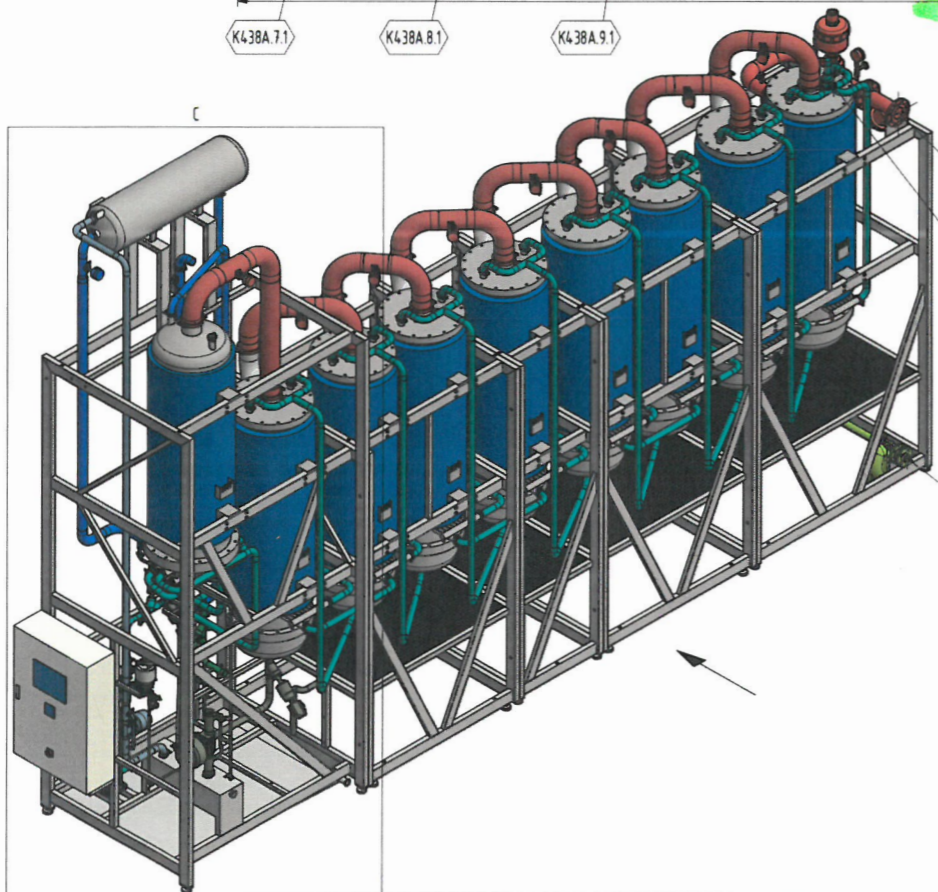
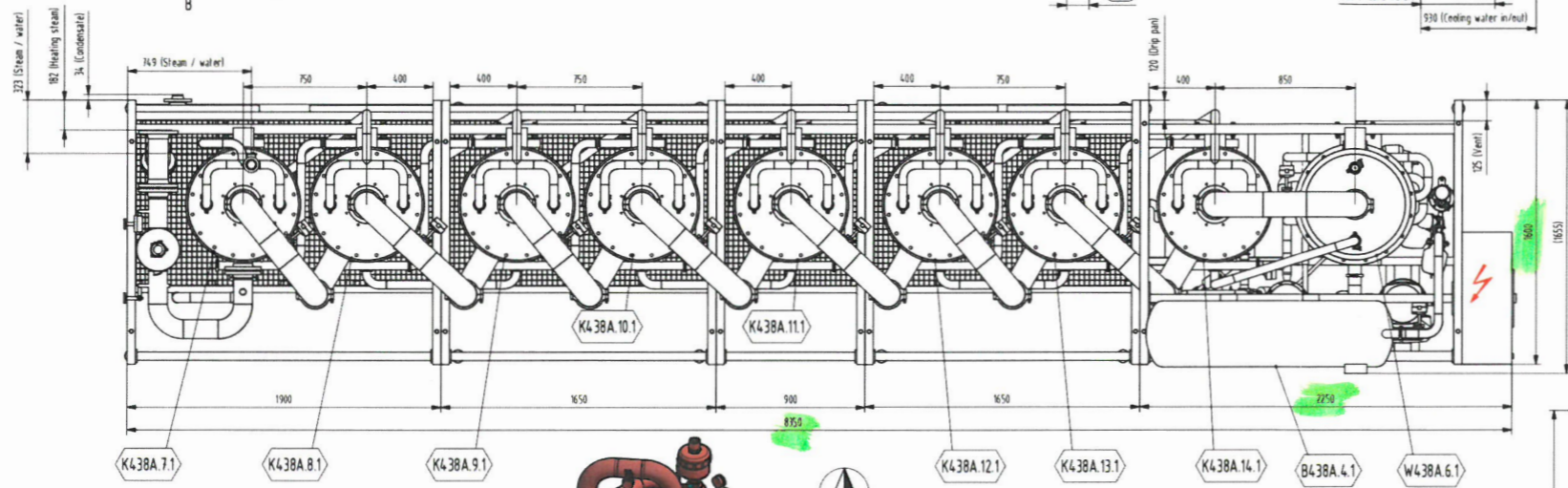
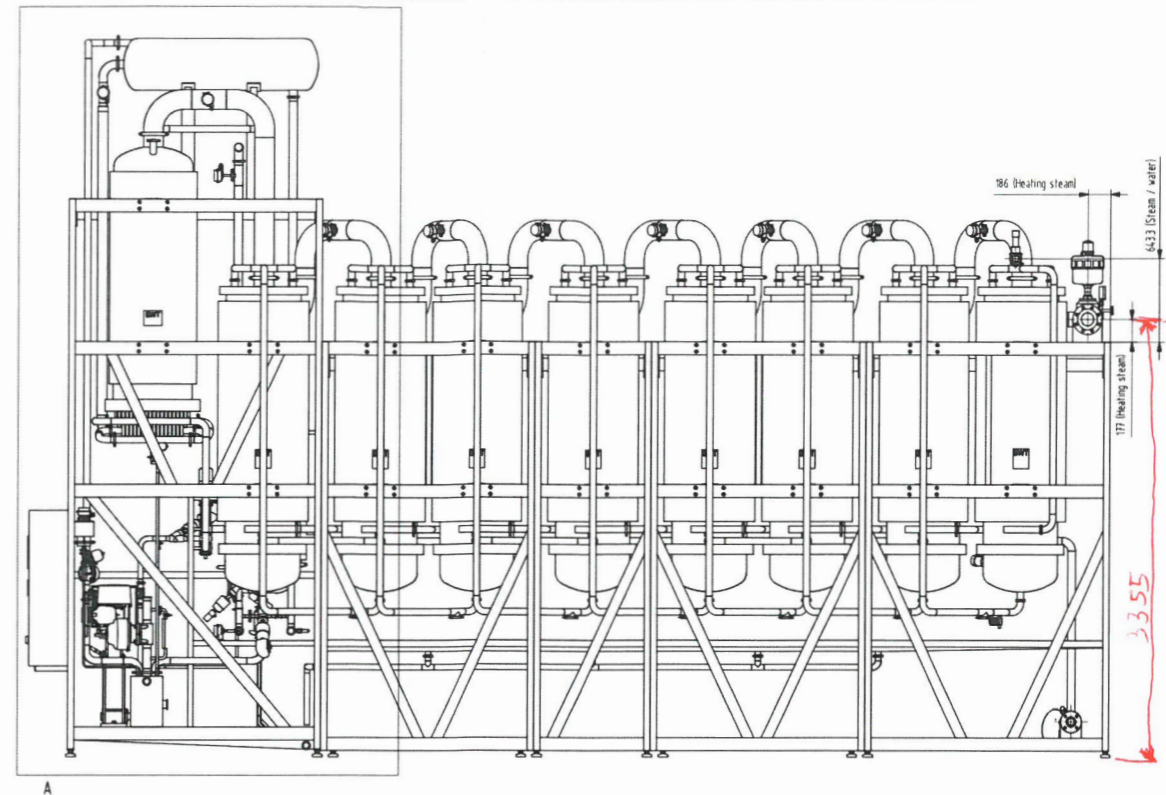
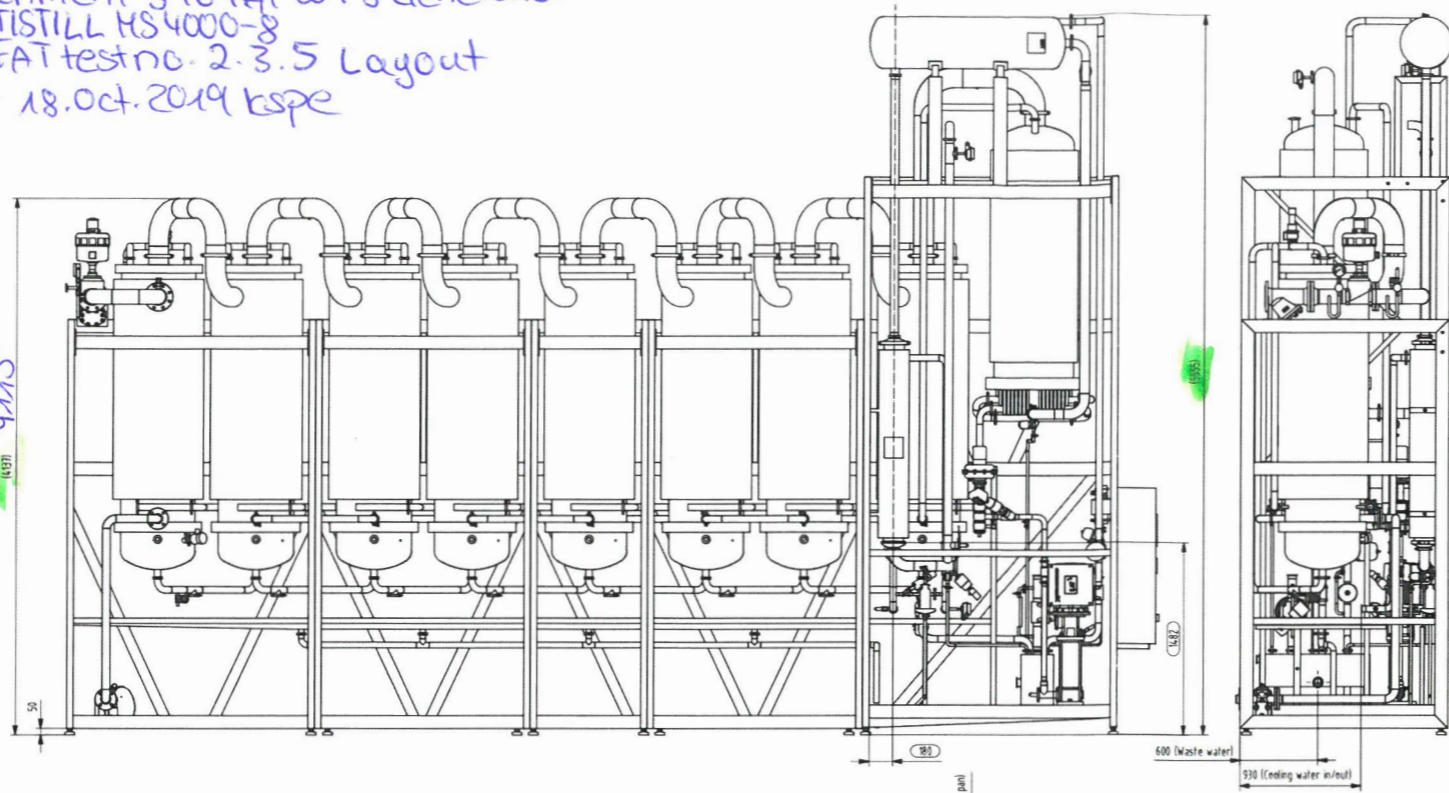
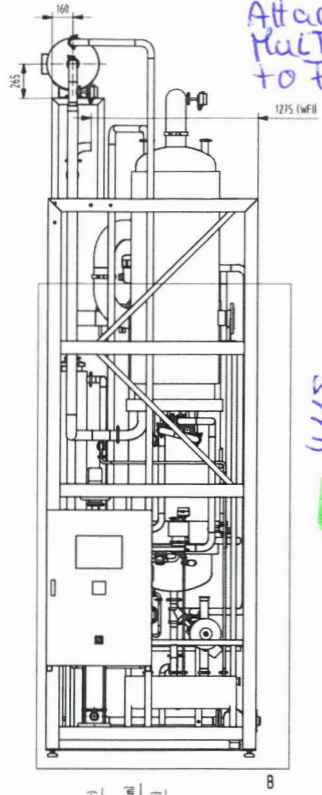
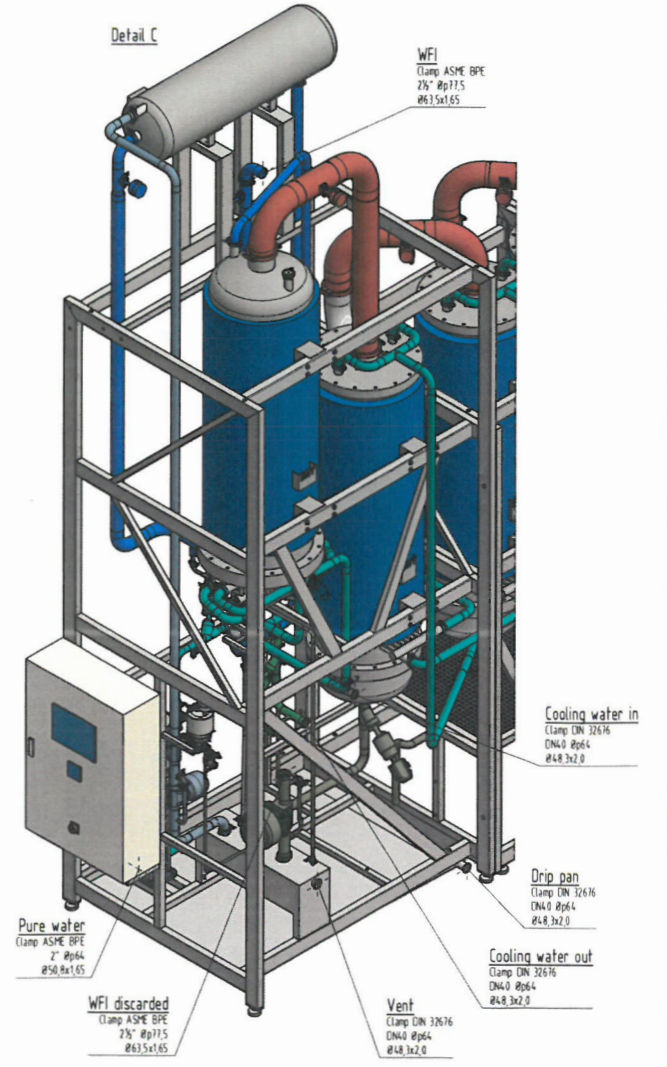
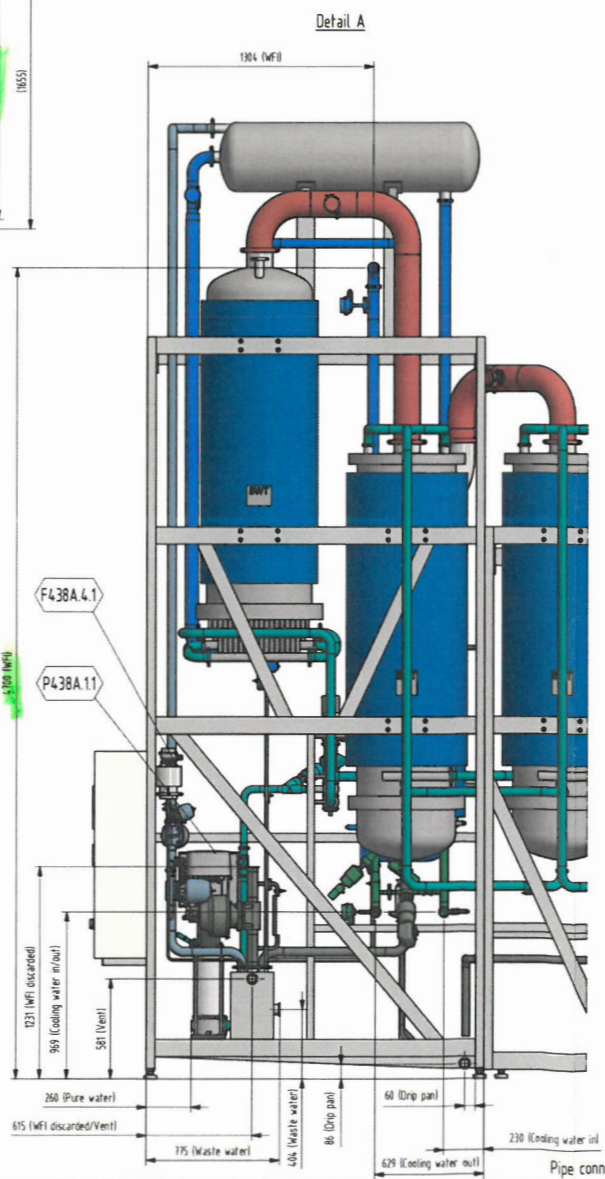
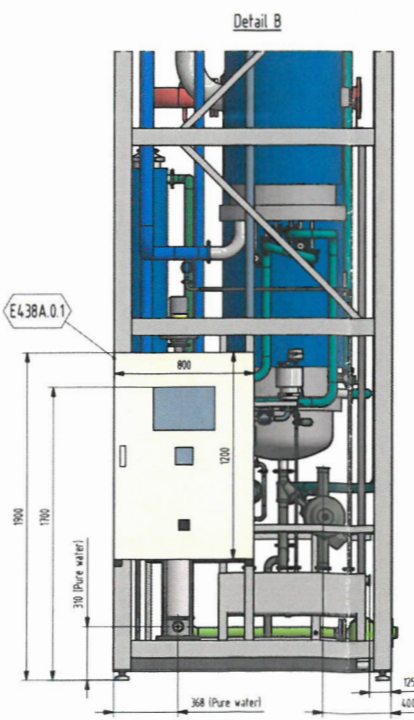


Attachment 3 to FAT w/FJ Generator  
 Multistill MS 4000-8  
 to FAT test no. 2-3.5 Layout  
 18.Oct.2019 kspe



- Heating steam  
Flange EN 1092-1  
DN100 PN16  
R114.3x2.3
- Steam / Water  
Clamp ASPE BPE  
2" #964  
#50.8x1.65
- Condensate  
Flange EN 1092-1  
DN50 PN16  
#60.3x2.0



No.	Date	Author	Checked	Reviewed	Approved
1	20.09.2019	kspe	kspe	kspe	kspe

<b>Layout</b> Distillation Unit PMA 115 TILL, PMA 000-8		Scale: 1:100 Drawing No.: 1111
---	--	-----------------------------------

Pipe connection point's coordinates ± 25mm