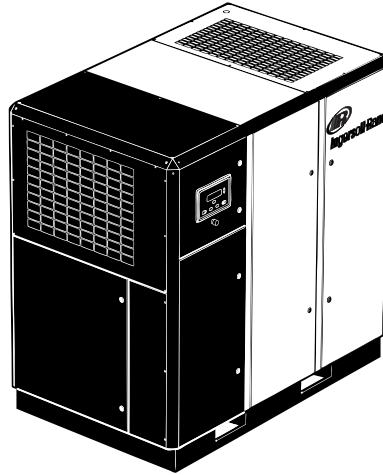


# Oil-Free Rotary Screw Air Compressor



IRN55K-OF, IRN75K-OF, IRN75H-OF,  
IRN100H-OF



---

## Product Parts Information



**Save These Instructions**



Edition G  
April 2022  
CCN 80447337

Only allow **Ingersoll Rand** trained Technicians to perform maintenance on this product. For additional information contact **Ingersoll Rand** factory or nearest Distributor.

The use of other than genuine **Ingersoll Rand** replacement parts may result in safety hazards, decreased performance and increased maintenance and may invalidate all warranties.

Refer all communications to the nearest **Ingersoll Rand** Office or Distributor.

# Table of Contents

PARTS ORDERING INFORMATION .....	4
RETURN GOODS POLICY .....	4
DISPOSAL .....	4
DRIVE TRAIN ASSEMBLY .....	6
COMMON OIL PIPING ASSEMBLY .....	8
COMMON OIL PIPING ASSEMBLY .....	10
COMMON OIL PIPING (SS) ASSEMBLY .....	12
COMMON OIL PIPING (SS) ASSEMBLY .....	14
CONTROL/PIPING ASSEMBLY .....	16
CONTROL/PIPING ASSEMBLY .....	18
A/C COOLER AND PIPING ASSEMBLY.....	20
A/C COOLER AND PIPING ASSEMBLY.....	22
A/C COOLER AND PIPING ASSEMBLY.....	26
W/C COOLER AND PIPING ASSEMBLY .....	28
W/C COOLER AND PIPING ASSEMBLY .....	30
W/C COOLER AND PIPING ASSEMBLY .....	34
W/C COOLER AND PIPING ASSEMBLY .....	36
HOT AIR DISCHARGE (A/C) ASSEMBLY .....	38
HOT AIR DISCHARGE (W/C) ASSEMBLY.....	40
AIR FILTER ASSEMBLY.....	42
REMOTE INTAKE ASSEMBLY .....	44
INLET BATTS (A/C) ASSEMBLY .....	46
INLET BATTS (A/C) ASSEMBLY .....	48
LOW VOLTAGE BOX ASSEMBLY.....	50
PORO (Xe) ASSEMBLY .....	52
MAIN PDM COMPONENTS ASSEMBLY .....	54
BACKPANEL (380-480V-AC) ASSEMBLY.....	56
BACKPANEL (380-480V-WC) ASSEMBLY .....	58
PDM SHEET METAL (STANDARD) ASSEMBLY .....	60
PDM SHEET METAL (ERP 2015) ASSEMBLY.....	62
RMS ASSEMBLY .....	64
ENCLOSURE (N55-75KW-OF) ASSEMBLY.....	66
ENCLOSURE (N55-75KW-OF) ASSEMBLY.....	68
ENCLOSURE (N55-75KW-OF) ASSEMBLY.....	69
RECOMMENDED PARTS LIST .....	70

# PARTS ORDERING INFORMATION

These products are designed and constructed to provide long, trouble-free service. In time it may be necessary to order and install new parts to replace those that have been subjected to wear.

For your convenience and future reference it is recommended that the following information be recorded.

Model Number \_\_\_\_\_

Serial Number \_\_\_\_\_

Date Purchased \_\_\_\_\_

When ordering replacement parts, please specify the following:

1. Complete model number and serial number as it appears on the data (name) plate.
2. Part number(s) and part description as shown in this manual.
3. Quantity required.

## **NOTICE**

### **General Information!**

- **Continuing improvement and advancement of design may cause changes to this equipment which are not included in this manual. Manuals are periodically revised to incorporate changes. Always check the manual edition number on the front cover for the latest issue.**
- **Sections of this manual may not apply to your product.**
- **Using other than genuine Ingersoll Rand replacement parts may invalidate the warranty.**

## **RETURN GOODS POLICY**

**Ingersoll Rand** will not accept any returned goods for warranty or service work unless prior arrangements have been made and written authorization has been provided from the location where the goods were purchased.

Products which have been modified without **Ingersoll Rand** approval, mishandled or misused will not be repaired or replaced under warranty.

## **DISPOSAL**

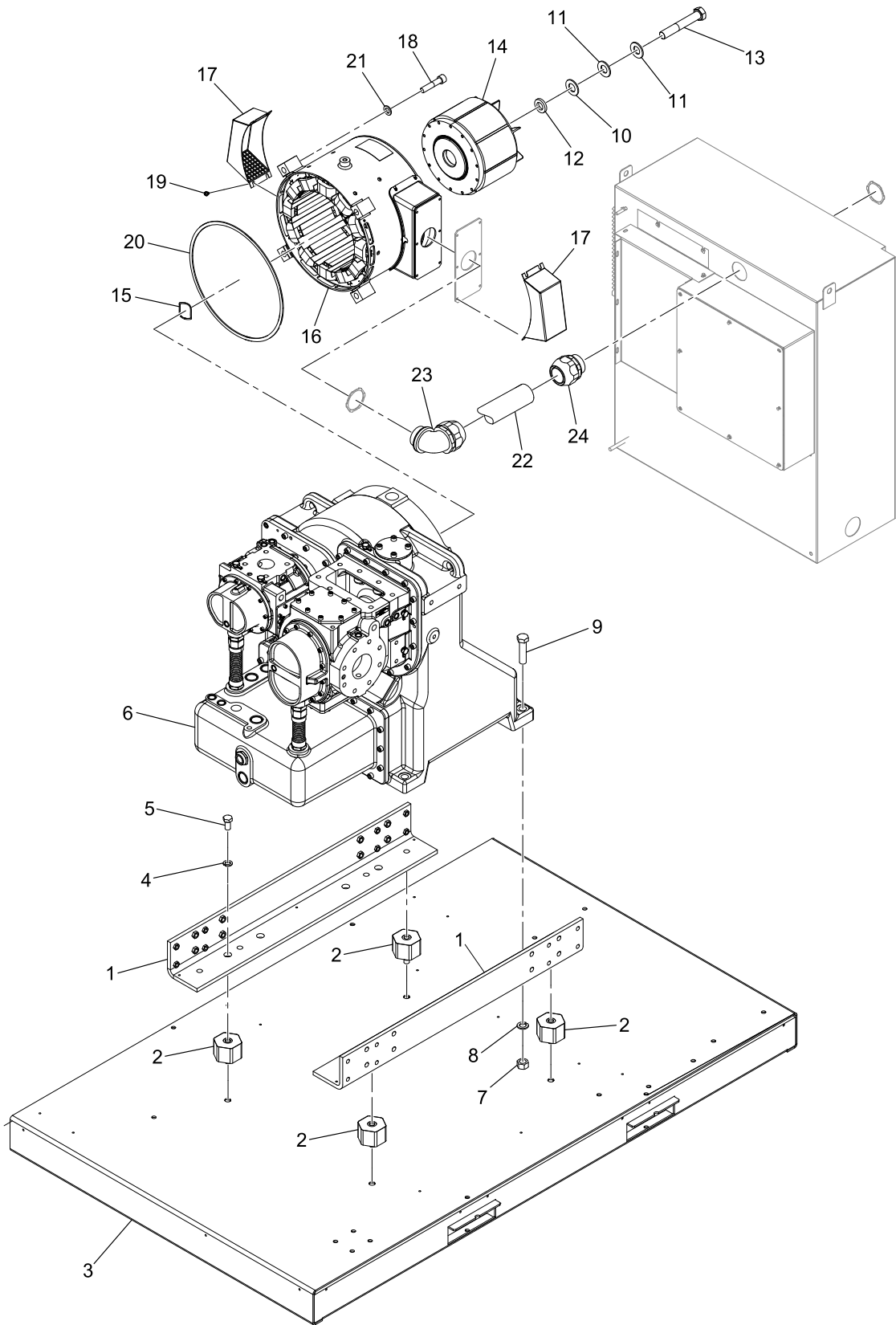


When the life of the product has expired, it is recommended that it be disassembled, degreased and parts separated as to materials so that they may be recycled.

Refer all communications to the nearest **Ingersoll Rand** Office or Distributor.



# DRIVE TRAIN ASSEMBLY

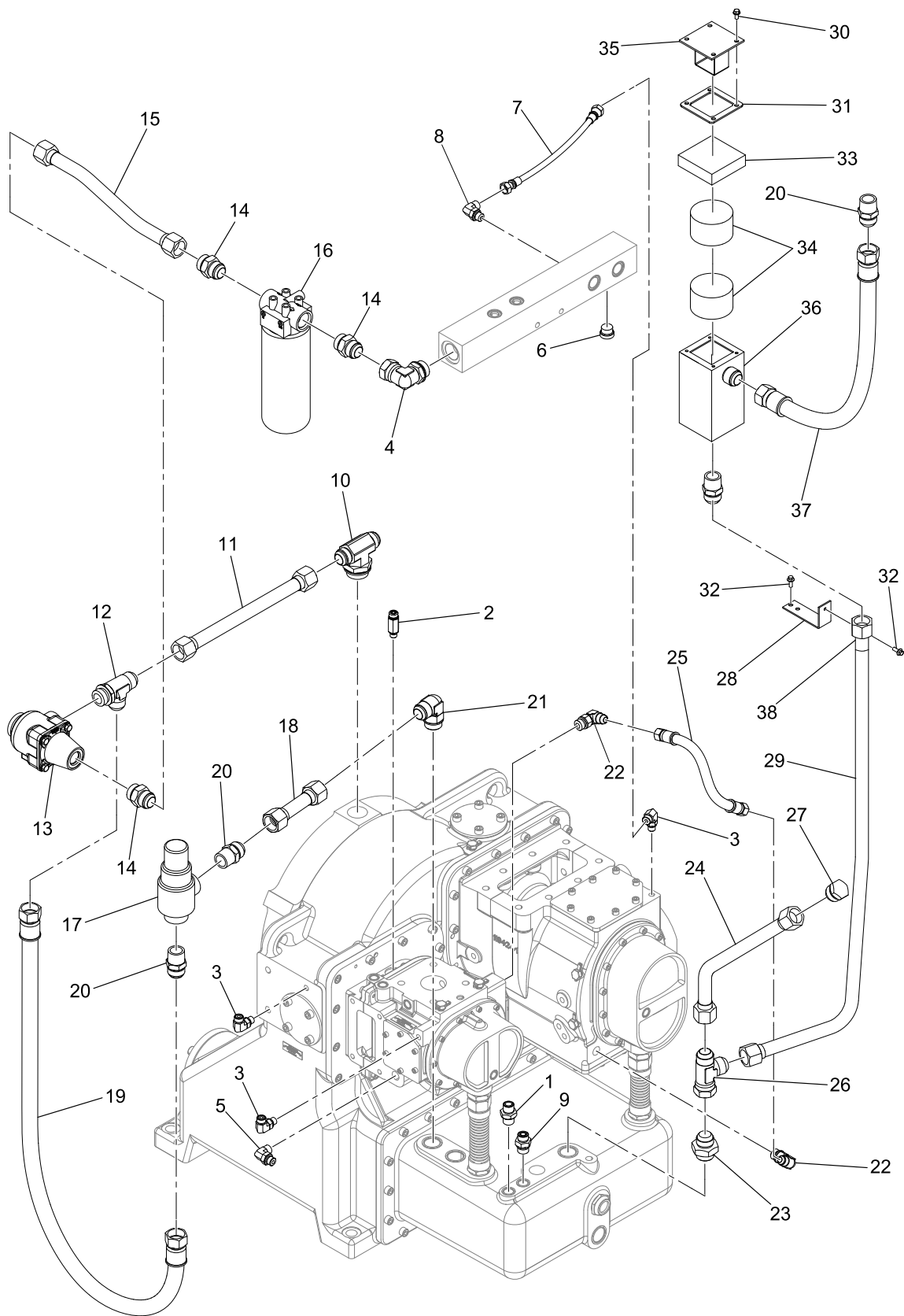


## DRIVE TRAIN ASSEMBLY

Item	Part No.	Description	Qty.
1	22299572	SUPPORT, AIREND RIGHT	2
2	22316210	MOUNT, ISOLATION	4
3	22330724	BASE, N55-75 kW-OF (75-100 hp)	1
4	96765169	WASHER	4
5	96738380	SCREW	4
6	22636542	MODULE, COMPRESSION CD8 VSD NIRVANA	1
7	96720446	NUT	4
8	96737721	WASHER	4
9	96740741	SCREW	4
10	22054456	WASHER	1
11	22055560	WASHER	2
12	22056279	SPACER, CD4DVSD/CD8DVSD/ CD14DVSD	1
13	22059315	BOLT	1
14	22265938	ROTOR 55/75 KW VSD 400V	1
15	22601363	SPRING	1
16	22265920	STATOR, 75 kW/100 hp 380-480V	1
	22270029	STATOR, 55 kW/75 hp 380-480V	1
17	22399364	DEFLECTOR, MOTOR EXHAUST	2
18	22504575	SCREW	4
19	92368687	SCREW	4
20	54672001	GASKET, VITON	1
21	96705645	WASHER	4
22	39147194	CONDUIT	A/R
23	54564042	ELBOW	1
24	54564059	CONNECTOR	1

A/R	AS REQUIRED
-----	-------------

# COMMON OIL PIPING ASSEMBLY

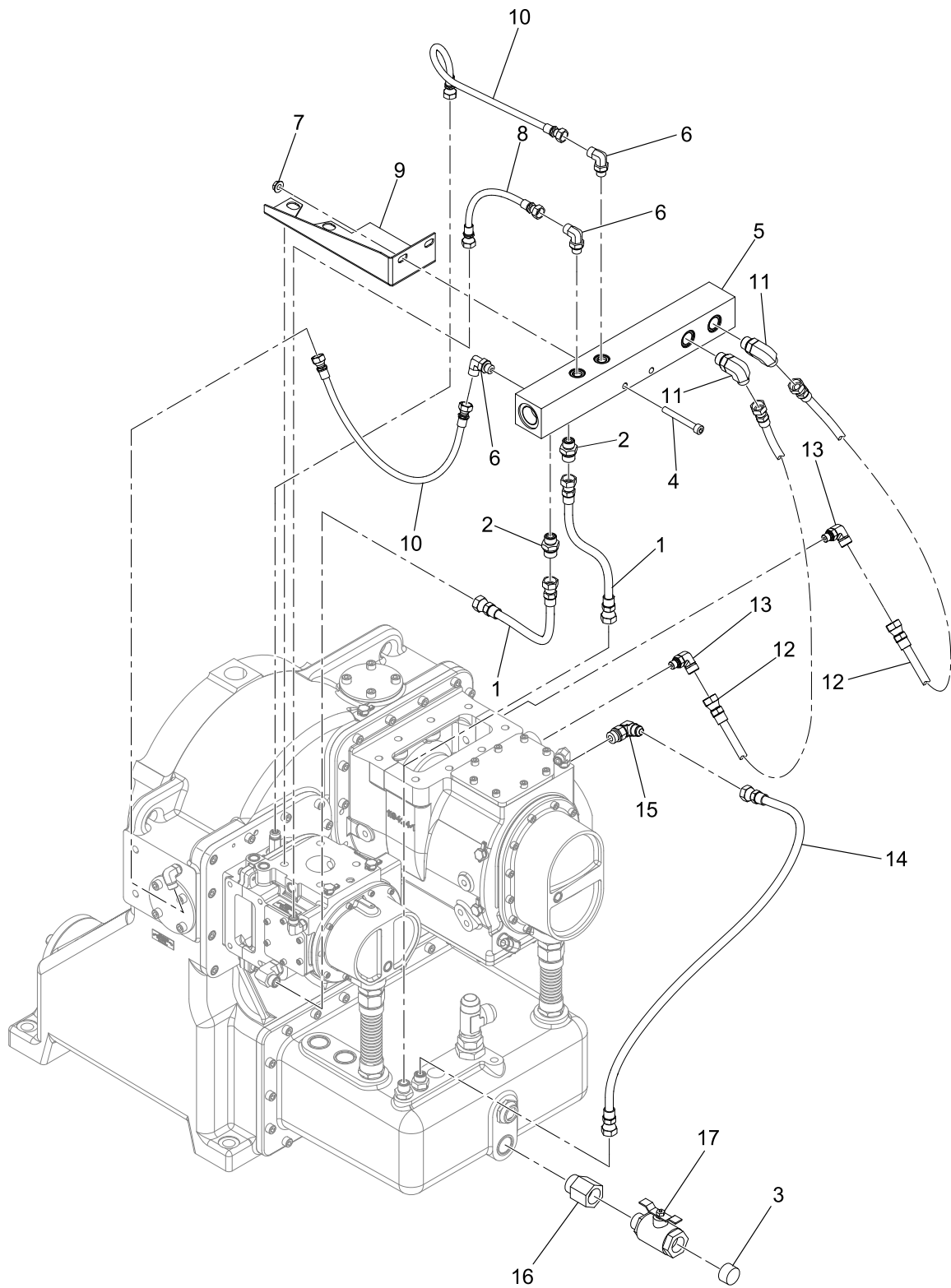




## COMMON OIL PIPING ASSEMBLY

Item	Part No.	Description	Qty.
1	23582448	VALVE, CHECK 25 PSIG .50 ORFS X .50 BSPP	1
2	24742298	CONNECTOR	1
3	96760152	ELBOW	3
4	96957618	ELBOW	1
5	96760194	ELBOW	1
6	96954235	PLUG	1
7	23661135	HOSE	1
8	96757638	ELBOW	1
9	96760087	CONNECTOR	1
10	22215610	TEE, MALE	1
11	22400717	TUBE, 1.0 PUMP TO AMOT FOR N55-75kW-OF	1
12	39146543	TEE, RUN	1
13	23702053	VALVE, THERMOSTATIC CONTROL 1.31 - 12 SAE THD 130 DEGREE F	1
14	95938148	CONNECTOR	3
15	22318984	TUBE, 1.0 THERMAL VALVE TO OIL FILTER	1
16	39259650	ASSEMBLY, OIL FILTER	1
17	22238703	VALVE, PUMP BYPASS 35 PSIG 1.0" FNPT X 1.0" FNPT	1
18	22352140	TUBE, 1.0 OIL RELIEF	1
19	85561173	HOSE	1
20	95937520	CONNECTOR	3
21	96740642	ELBOW	1
22	39172341	ELBOW	2
23	96739545	CONNECTOR	1
24	22269948	TUBE, 1.0 OIL FILL CD14 NL90-160 kW	1
25	85558864	HOSE	1
26	95937843	TEE, RUN	1
27	96950845	PLUG	1
28	22269575	BRACKET, BREATHER TUBE CD14 NL90-160 kW	1
29	22334163	TUBE, 1.0 AIR END TO BREATHER	1
30	39133145	SCREW	4
31	39491741	GASKET, BREATHER	1
32	39917489	SCREW	3
33	40068371	ELEMENT, BREATHER	1
34	40068389	ELEMENT, BREATHER	2
35	85544419	COVER, BREATHER	1
36	85544427	BODY, BREATHER	1
37	85560993	HOSE	1
38	W-88677	CLAMP, SUPPORT	1

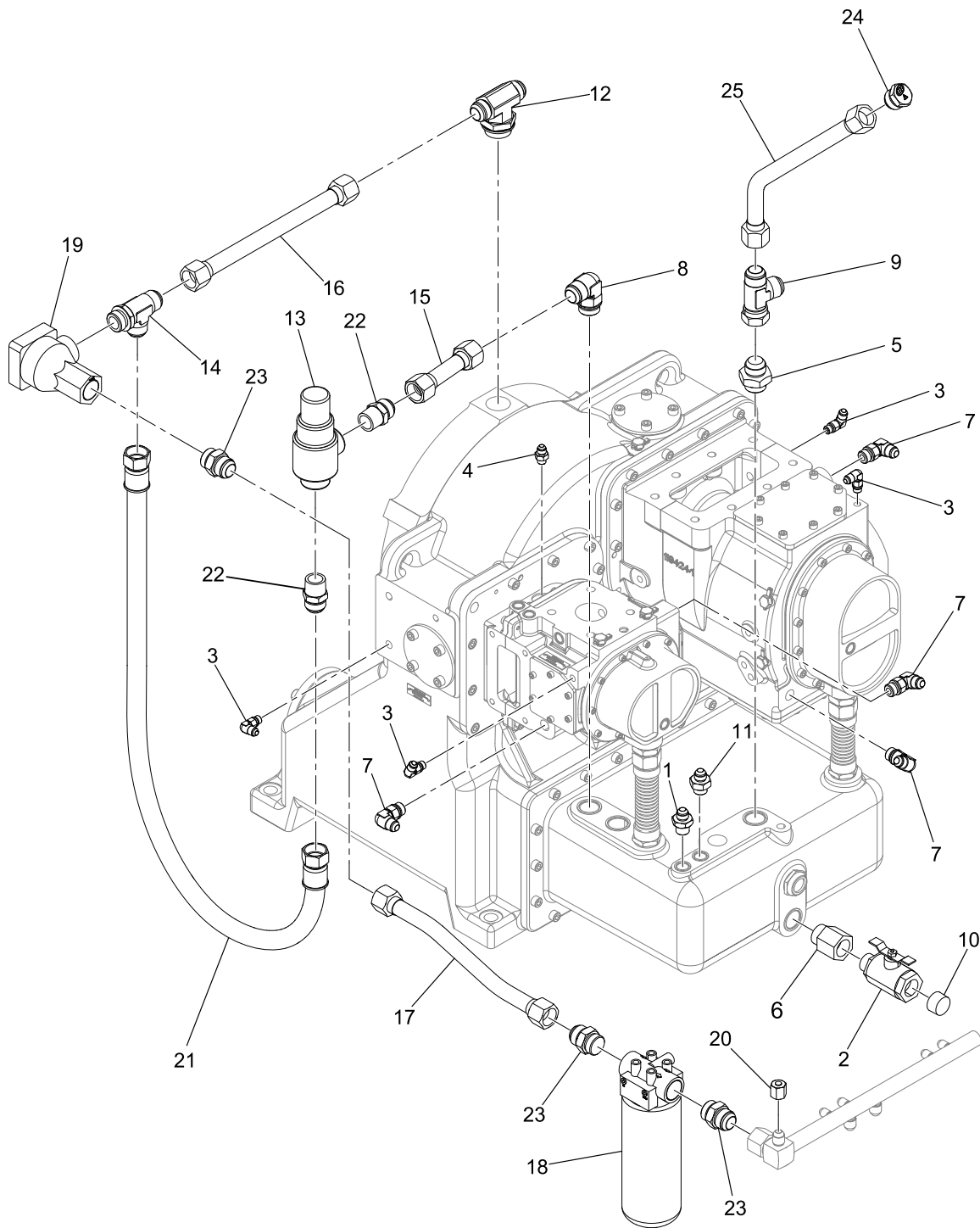
# COMMON OIL PIPING ASSEMBLY



## COMMON OIL PIPING ASSEMBLY

Item	Part No.	Description	Qty.
1	23673296	HOSE	2
2	96758008	CONNECTOR	2
3	95941258	PLUG, SOCKET 1.00 NPT (60 Hz)	1
	92892736	PLUG, SOCKET 1.00 BSPP (50 Hz)	1
4	96708201	SCREW	2
5	23565138	BLOCK, OIL MANIFOLD ALUMINUM	1
6	96757638	ELBOW	3
7	96704846	NUT	2
8	23673320	HOSE	1
9	23665235	SUPPORT, OIL MANIFOLD NIRVANA CD8	1
10	23661143	HOSE	2
11	96757661	ELBOW	2
12	23673346	HOSE	2
13	96760178	ELBOW	2
14	23673312	HOSE	1
15	96760194	ELBOW	1
16	39213202	ADAPTOR, FEMALE (60 Hz ONLY)	1
17	39105754	VALVE, BALL (60 Hz)	1
	22061386	VALVE, BALL (50 Hz)	1

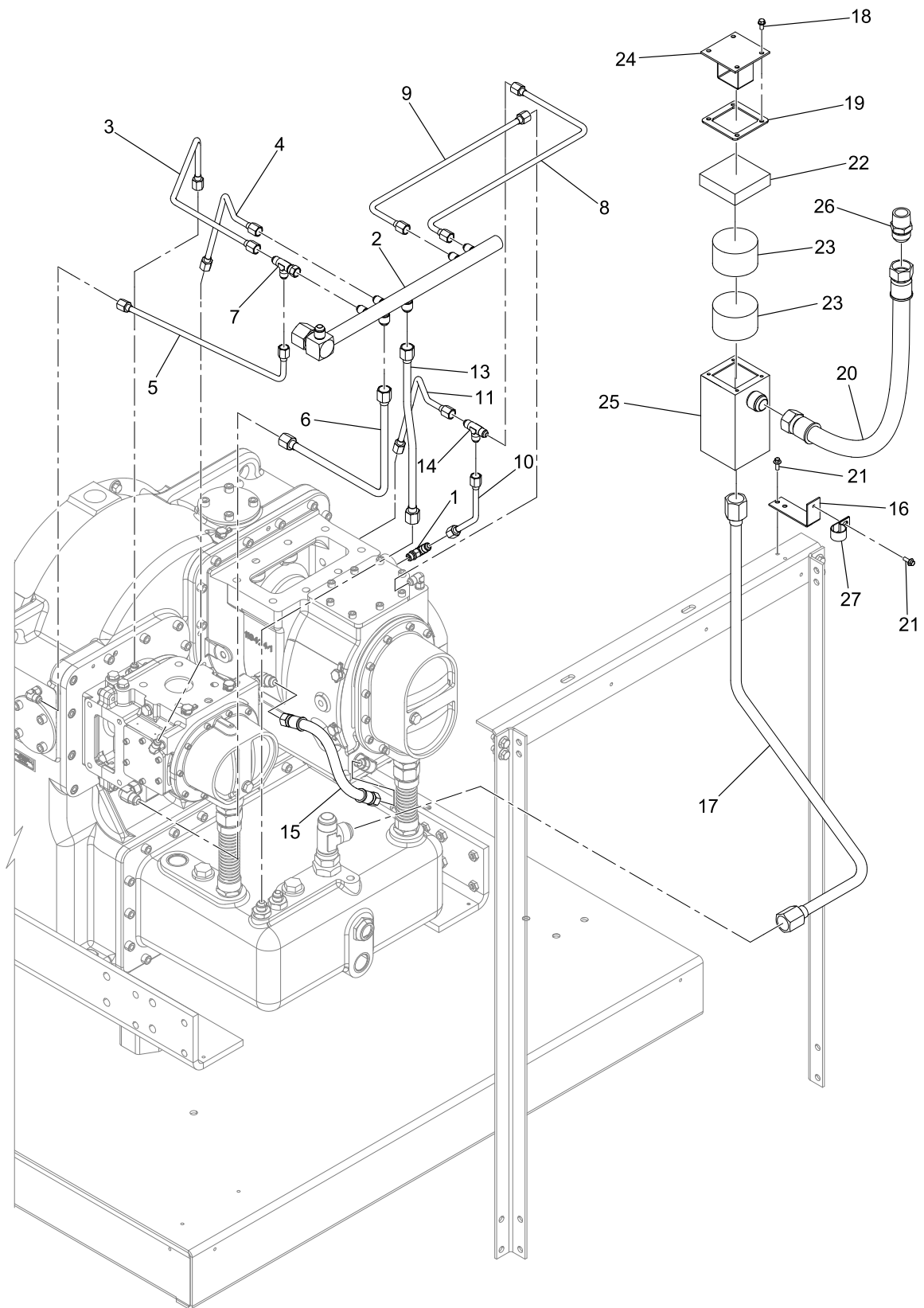
# COMMON OIL PIPING (SS) ASSEMBLY



## COMMON OIL PIPING (SS) ASSEMBLY

Item	Part No.	Description	Qty.
1	22266852	VALVE, CHECK 25PSIG, .50 TUBE X .50 BSPP STEEL	1
2	39105754	VALVE, BALL	1
3	39196928	ELBOW	4
4	39196944	CONNECTOR, MALE	1
5	96750047	CONNECTOR, MALE	1
6	39213202	ADAPTER, FEMALE, 60 Hz	1
7	39225271	ELBOW	4
8	39237425	ELBOW	1
9	95029575	TEE, RUN	1
10	95941258	PLUG, SOCKET	1
11	95986139	CONNECTOR	1
12	22238869	TEE, MALE	1
13	22238703	VALVE, PUMP BYPASS 35 PSIG 1.0" FNPT X 1.0" FNPT	1
14	95935250	TEE, RUN	1
15	22604789	TUBE, OIL RELIEF	1
16	22604797	TUBE, PUMP TO AMOT, FOR N55-75 kW-OF	1
17	22604805	TUBE, 1.0 THERMAL VALVE TO OIL FILTER	1
18	39259650	ASSEMBLY, OIL FILTER	1
19	23702053	VALVE, THERMOSTATIC CONTR 1 5/16-12 SAE THD 130 DEG. F	1
20	39498183	CAP	1
21	85561173	HOSE	1
22	95277760	CONNECTOR	2
23	95934394	CONNECTOR	3
24	96950845	PLUG, OIL FILL	1
25	22269955	TUBE, 1.0 OIL, CD14 NL90-160 kW	1

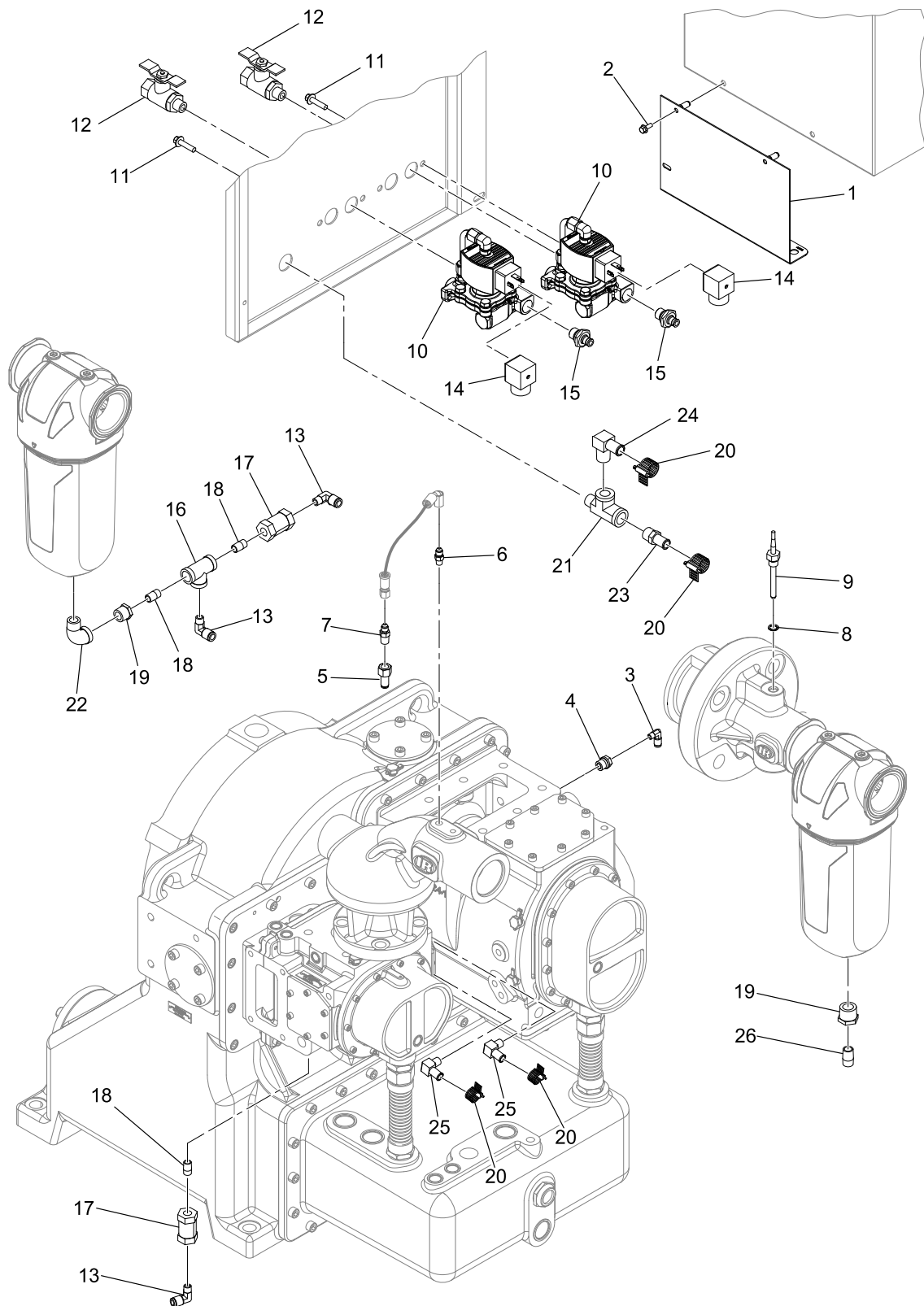
# COMMON OIL PIPING (SS) ASSEMBLY



## COMMON OIL PIPING (SS) ASSEMBLY

Item	Part No.	Description	Qty.
1	39196928	ELBOW	1
2	22604656	MANIFOLD, OIL	1
3	22604706	TUBE, 2ND , BEARING FEED TOP	1
4	22604714	TUBE, 2ND STAGE, BEARING FEED SIDE	1
5	22604722	TUBE, 2ND STAGE SPLT	1
6	22604748	TUBE, 2ND STAGE, COOLANT IN	1
7	95397501	TEE, RUN	1
8	22604664	TUBE, .38 1ST STG BEARING FEED AND SPLITTER	1
9	22604672	TUBE, .38 1ST STG BEARING FEED TOP	1
10	22604680	TUBE, .38 1ST STG BEARING FEED SIDE	1
11	22604698	TUBE, .38 1ST STG GEAR SPLITTER	1
12	22604730	TUBE, .50 1ST STG COOLANT OUTLET	1
13	22604755	TUBE, .50 OD OIL RELIEF	1
14	95934444	TEE, UNION	1
15	39571914	HOSE	1
16	22269575	BRACKET, BREATHER TUBE CD14 NL90-160kW	1
17	22604763	TUBE, 1.0 AIR END TO BREATHER	1
18	39133145	SCREW	4
19	39491741	GASKET, BREATHER	1
20	39572086	HOSE	1
21	39917489	SCREW	3
22	40068371	ELEMENT, BREATHER	1
23	40068389	ELEMENT, BREATHER	2
24	85544419	COVER, BREATHER	1
25	85544427	BODY, BREATHER BEIGE	1
26	95277760	CONNECTOR	1
27	W-88677	CLAMP, SUPPORT	1

# CONTROL/PIPING ASSEMBLY



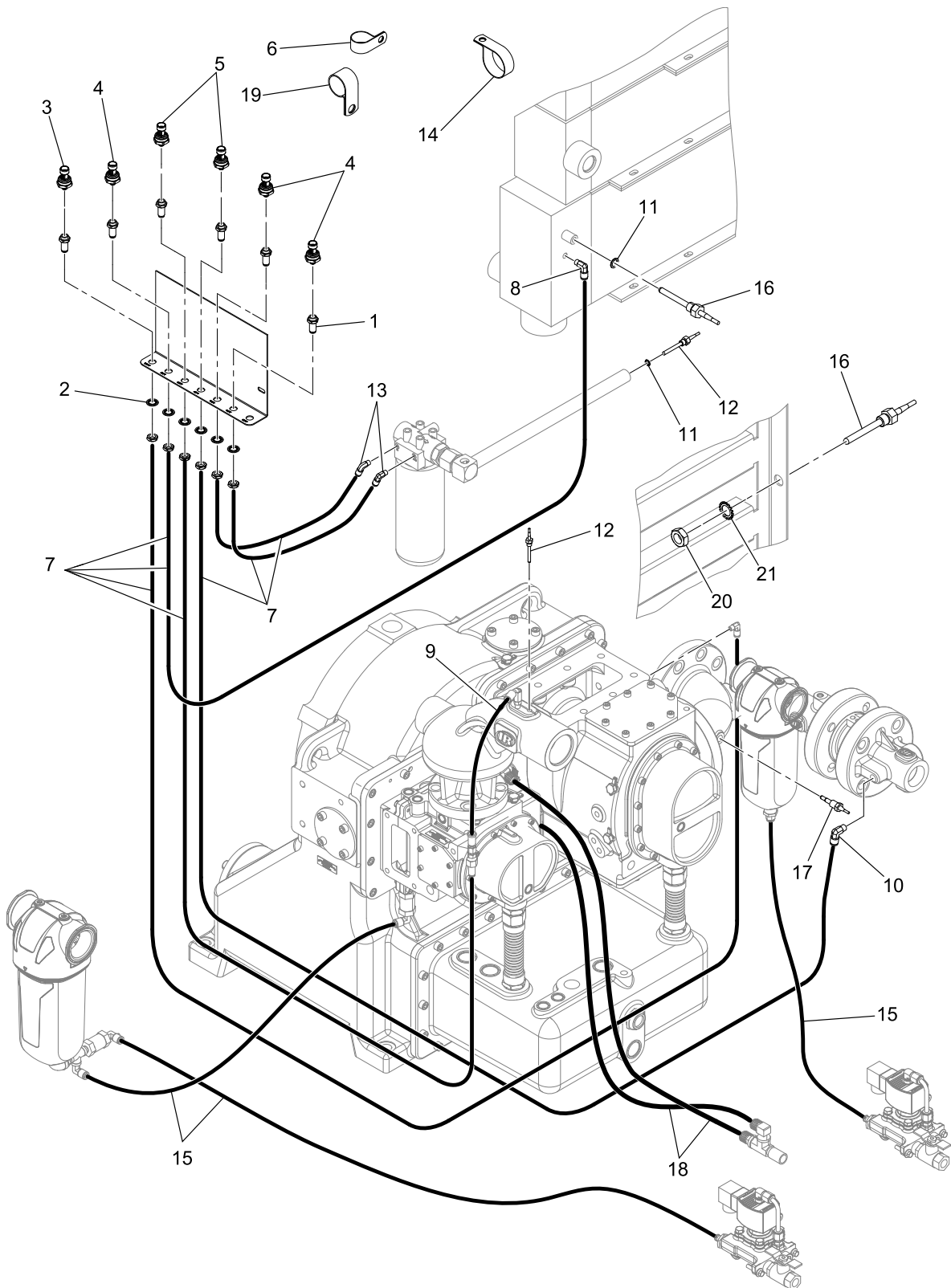


**CONTROL/PIPING ASSEMBLY**

<b>Item</b>	<b>Part No.</b>	<b>Description</b>	<b>Qty.</b>
1	22390058	BRACKET, TRANSDUCER (NIRVANA OIL FREE)	1
2	96742689	BOLT	2
3	39155577	ELBOW	1
4	39166020	PLUG	1
5	39156443	CONNECTOR	1
6	95937579	CONNECTOR	1
7	95973301	CONNECTOR	1
8	39404157	O-RING	1
9	38433546	SENSOR, TEMPERATURE THERMISTOR	1
10	47687745001	MANIFOLD, CONDENSATE VALVE	2
11	96754387	SCREW	4
12	39105713	VALVE, BALL	2
13	39155650	CONNECTOR	3
14	39479555	CONNECTOR, DIN	2
15	96967229	CONNECTOR	2
16	95272712	TEE	1
17	39182548	VALVE, IN-LINE CHECK	2
18	95323911	NIPPLE	3
19	95388369	BUSHING, REDUCER	2
20	95220844	CLAMP, HOSE	4
21	95974556	TEE, MALE RUN	1
22	95586723	ELBOW	1
23	39311329	FITTING, BARBED 1/2"HOSE-3/8NPT SIERRA SEAL VENTS	1
24	22721930	ELBOW	1
25	22721922	ELBOW	2
26	39156419	CONNECTOR	1

**Note:** Two Ball Valves 39105713 to be Shipped Separate in Starter Box.

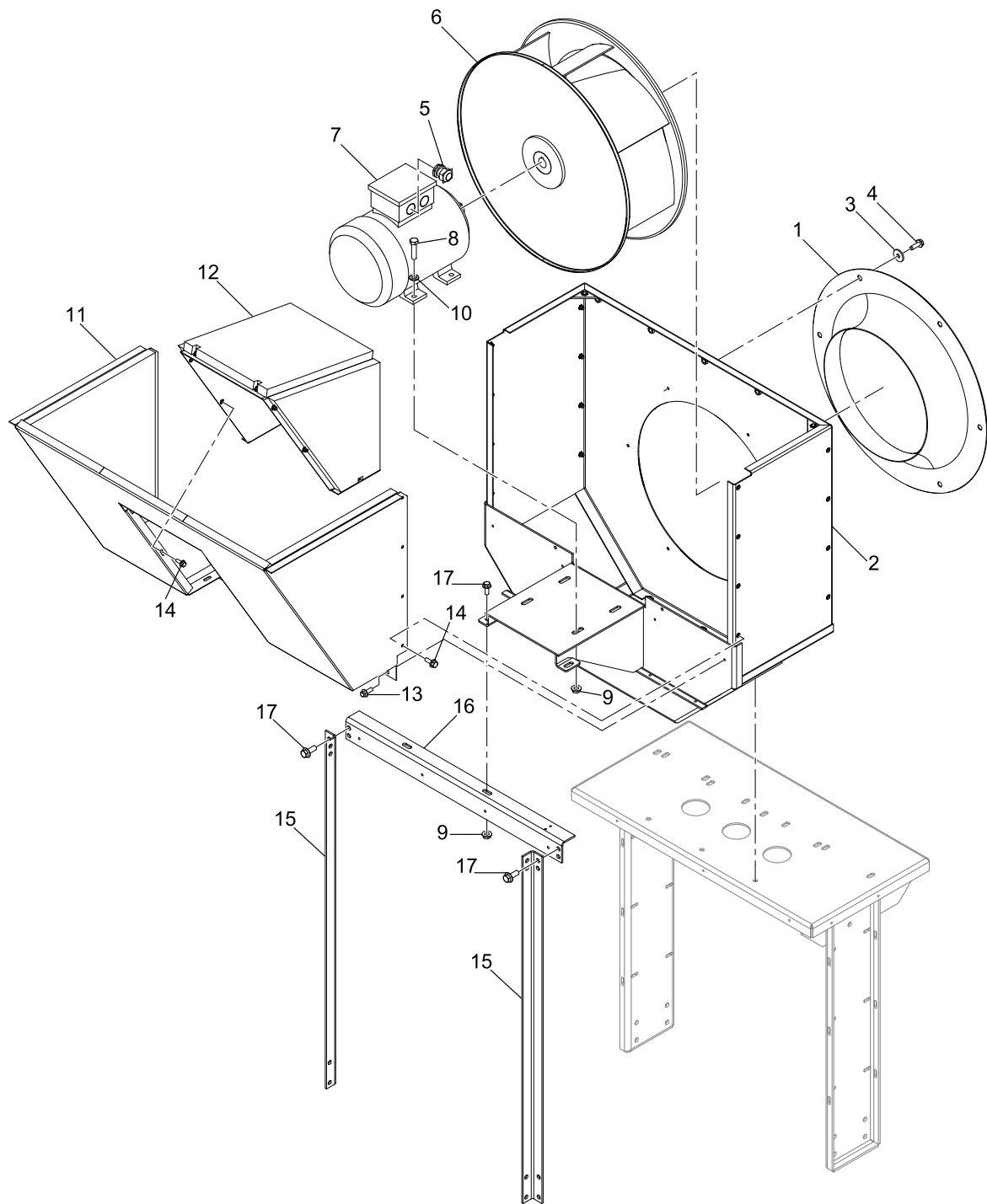
# CONTROL/PIPING ASSEMBLY



**CONTROL/PIPING ASSEMBLY**

<b>Item</b>	<b>Part No.</b>	<b>Description</b>	<b>Qty.</b>
1	39461868	BULKHEAD, FEMALE UNION	6
2	95922761	WASHER, LOCK INTERNAL TOOTH	6
3	47606164001	TRANSDUCER, VACUUM 0-15 PSIG, 5 VDC, 1/8 NPT	1
4	47606165001	TRANSDUCER, PRESSURE 100 PSI, 5VDC, 1/8 NPT	3
5	47606166001	TRANSDUCER, PRESSURE 225 PSI, 5VDC, 1/8 NPT	2
6	35114057	TUBE CLAMP	2
7	39124813	TUBING	A/R
8	39155478	ELBOW	1
9	39117569	HOSE (AIR COOLED)	1
	24260705002	HOSE (WATER COOLED)	1
10	39155650	ELBOW	1
11	39404157	O-RING	1
12	38433546	SENSOR, TEMPERATURE THERMISTOR	1
13	39155577	ELBOW	2
14	35114271	TUBE CLAMP	2
15	39124821	TUBING	A/R
16	85652535	SENSOR, TEMPERATURE THERMISTOR	2
17	47637866001	SENSOR	1
18	39137518	HOSE	2
19	35225085	SUPPORT CLAMP	2
20	95926028	NUT	1
21	95994042	WASHER, LOCK EXTERNAL TOOTH	1
A/R	AS REQUIRED		

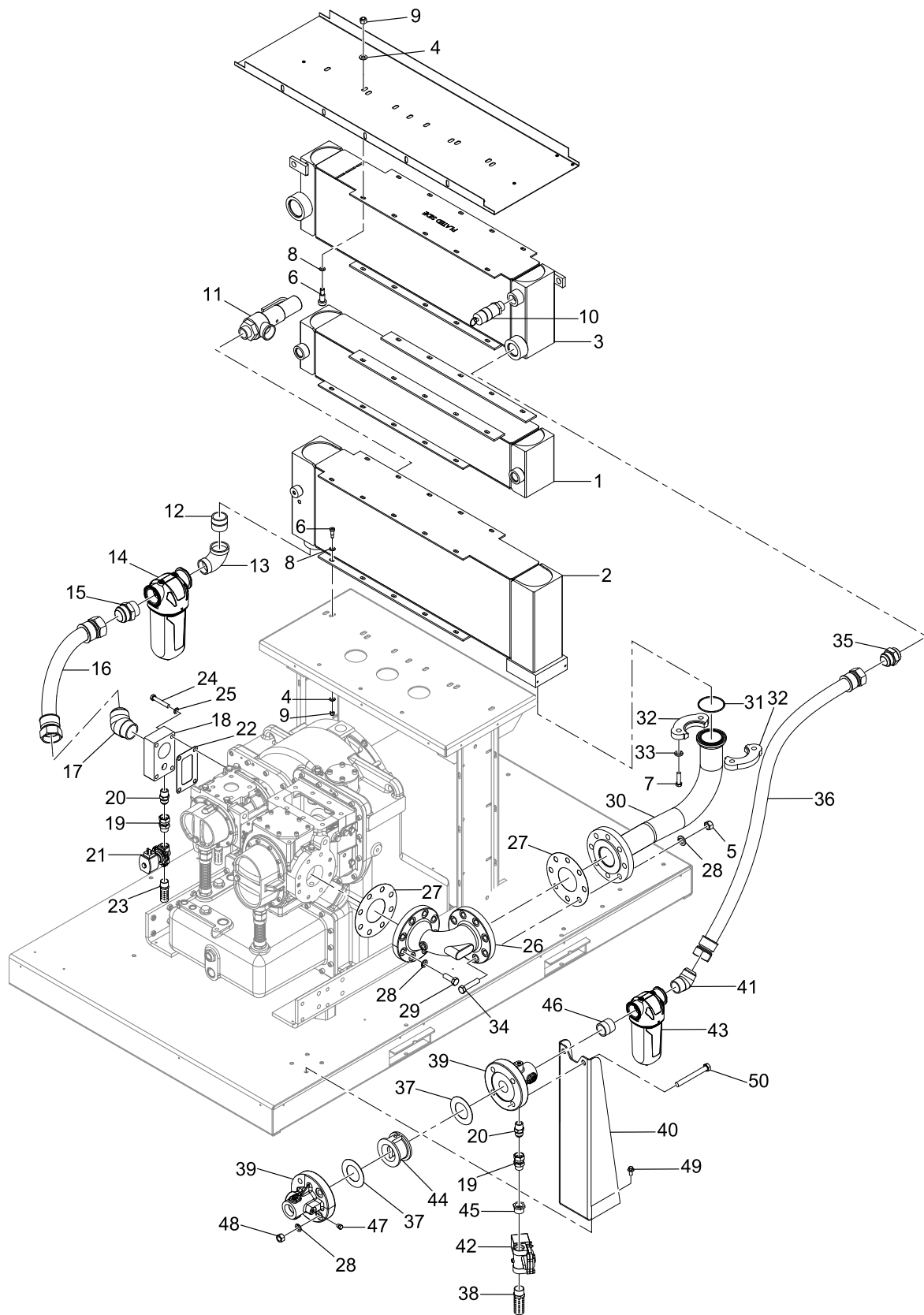
# A/C COOLER AND PIPING ASSEMBLY



## A/C COOLER AND PIPING ASSEMBLY

Item	Part No.	Description	Qty.
1	23410541	CONE, INLET BLOWER (560)	1
2	49147143	HOUSING, BLOWER	1
3	96740188	WASHER	6
4	96741962	SCREW	6
5	22501720	GLAND, CABLE	1
6	24344129	WHEEL, BLOWER	1
7	24507014	MOTOR, BLOWER, 4kW 200/400V, 50Hz (IE2), W22	1
	ZS1220870	MOTOR, BLOWER 4kW 200/400V, 50Hz (IE3 EMEA)	1
8	96704556	SCREW	4
9	96704846	NUT	A/R
10	96714399	WASHER	A/R
11	22509582	ASSEMBLY, EXHAUST DUCT WITH FOAM	1
12	22509590	ASSEMBLY, COVER MOTOR WITH FOAM	1
13	39917489	SCREW	AR
14	96742689	BOLT	16
15	22307896	SUPPORT, VERT. BLOWER, HOUSING MOTOR END	2
16	22310254	SUPPORT, HORIZ. BLOWER, HOUSING MOTOR END	1
17	96726914	BOLT	6
A/R	AS REQUIRED		

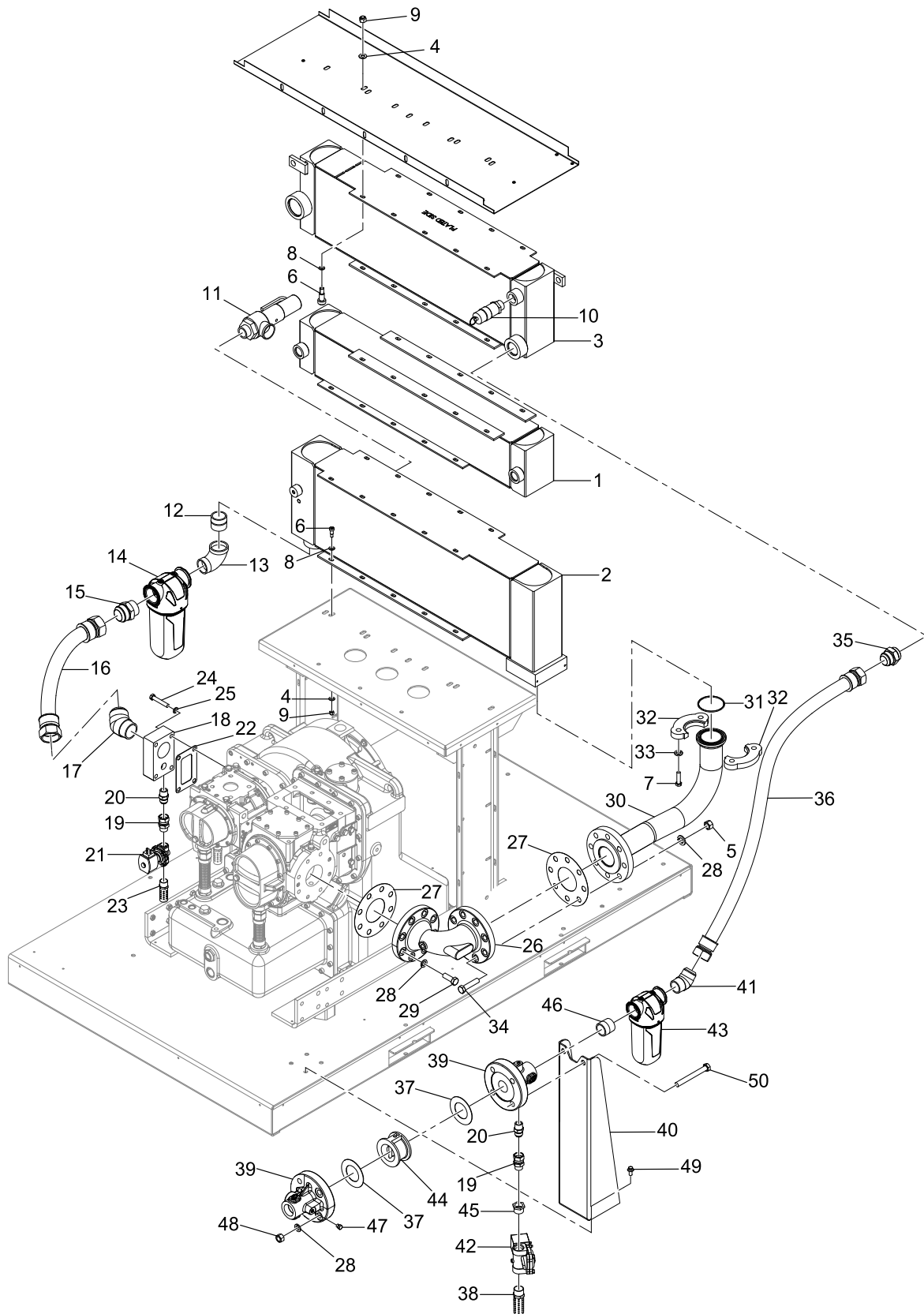
# A/C COOLER AND PIPING ASSEMBLY



## A/C COOLER AND PIPING ASSEMBLY

Item	Part No.	Description	Qty.
1	22312524	OILCOOLER, AKG 3517.144.1000	1
2	22451439	INTERCOOLER, AKG 3517.148.2000	1
3	22451447	AFTERCOOLER, AKG 3517.148.3000	1
4	96704671	WASHER, PLAIN	10
5	96711882	NUT	8
6	96704473	SCREW	10
7	95929089	SCREW	4
8	96714399	WASHER	14
9	96728431	NUT	10
10	39114145	VALVE, SAFTEY 1.0 NPT 165 PSIG	1
	22219836	VALVE, SAFTEY 1.0 NPT 11.3 BAR (PED)	1
11	39324827	VALVE, SAFTEY 1.25 NPT 45 PSIG	1
	22147805	VALVE, SAFTEY 1.25 NPT 3.1 BAR (PED)	1
12	95662532	NIPPLE	1
13	95355988	ELBOW	1
14	17933451	SEPARATOR, MOISTURE	1
15	22219380	CONNECTOR	1
16	23113533	HOSE	1
17	22255764	ELBOW	1
18	22292593	PLATE, 2ND STAGE INLET	1
19	22648018	CONNECTOR	2
20	22648026	CONNECTOR	2
21	23402662	VALVE, SOLENOID	1
22	39302948	GASKET, 2ND STAGE INLET	1
23	54423181	MUFFLER, BANTAM	1
24	96714050	SCREW	4
25	96739933	LOCK WASHER	4
26	39842679	VENTURI, CD8 FIRST STAGE	1
27	39331053	GASKET	2
28	96721097	LOCKWASHER	20
29	96722236	SCREW	12
30	22290001	TUBE	1
31	54624796	O-RING	1
32	95016283	FLANGE, SPLIT HALVES	2
33	95934741	LOCKWASHER	4
34	96705520	SCREW	8
35	22187389	CONNECTOR, MALE	1

# A/C COOLER AND PIPING ASSEMBLY

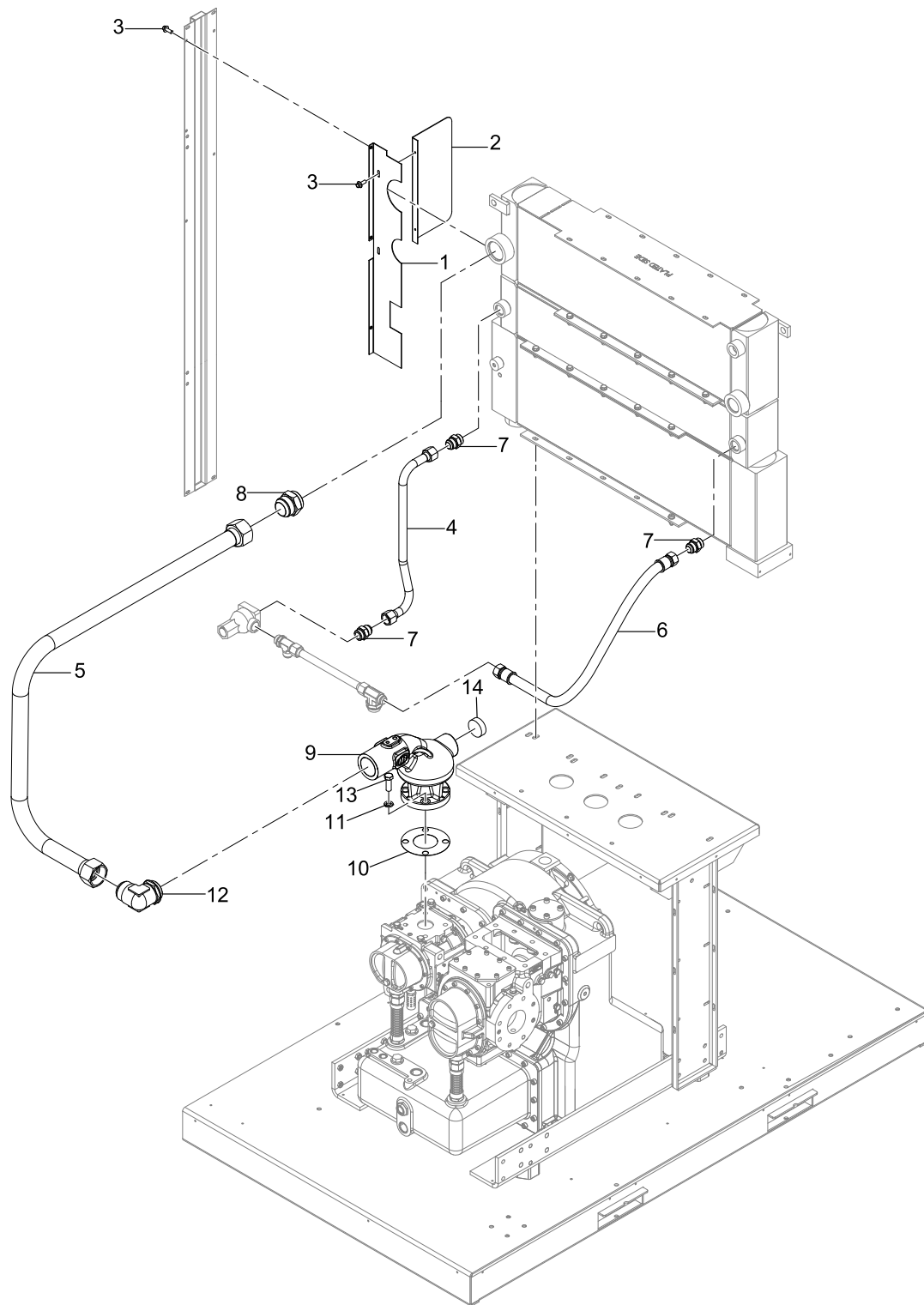




**A/C COOLER AND PIPING ASSEMBLY**

<b>Item</b>	<b>Part No.</b>	<b>Description</b>	<b>Qty.</b>
36	23113509	HOSE	1
37	17783473	GASKET	2
38	22321038	MUFFLER, BANTAM	1
39	22526610	MANIFOLD, 60 Hz	2
		MANIFOLD, 50 Hz	1
	22526628	MANIFOLD, 50 Hz	1
40	22528343	SUPPORT, AIR DISCHARGE, 1.5 MOIST SEP-CAST MANIFOLD	1
41	22648034	ELBOW	1
42	23402670	VALVE, BLOWDOWN SOLENOID 1.00 NPT	1
43	17933453	SEPARATOR, MOISTURE	1
44	67981688	VALVE, WAFER CHECK	1
45	95531380	BUSHING, REDUCER	1
46	95669412	NIPPLE	1
47	95938965	PLUG (60 Hz ONLY)	1
48	96711882	NUT	4
49	96737549	SCREW	4
50	96739602	SCREW	4

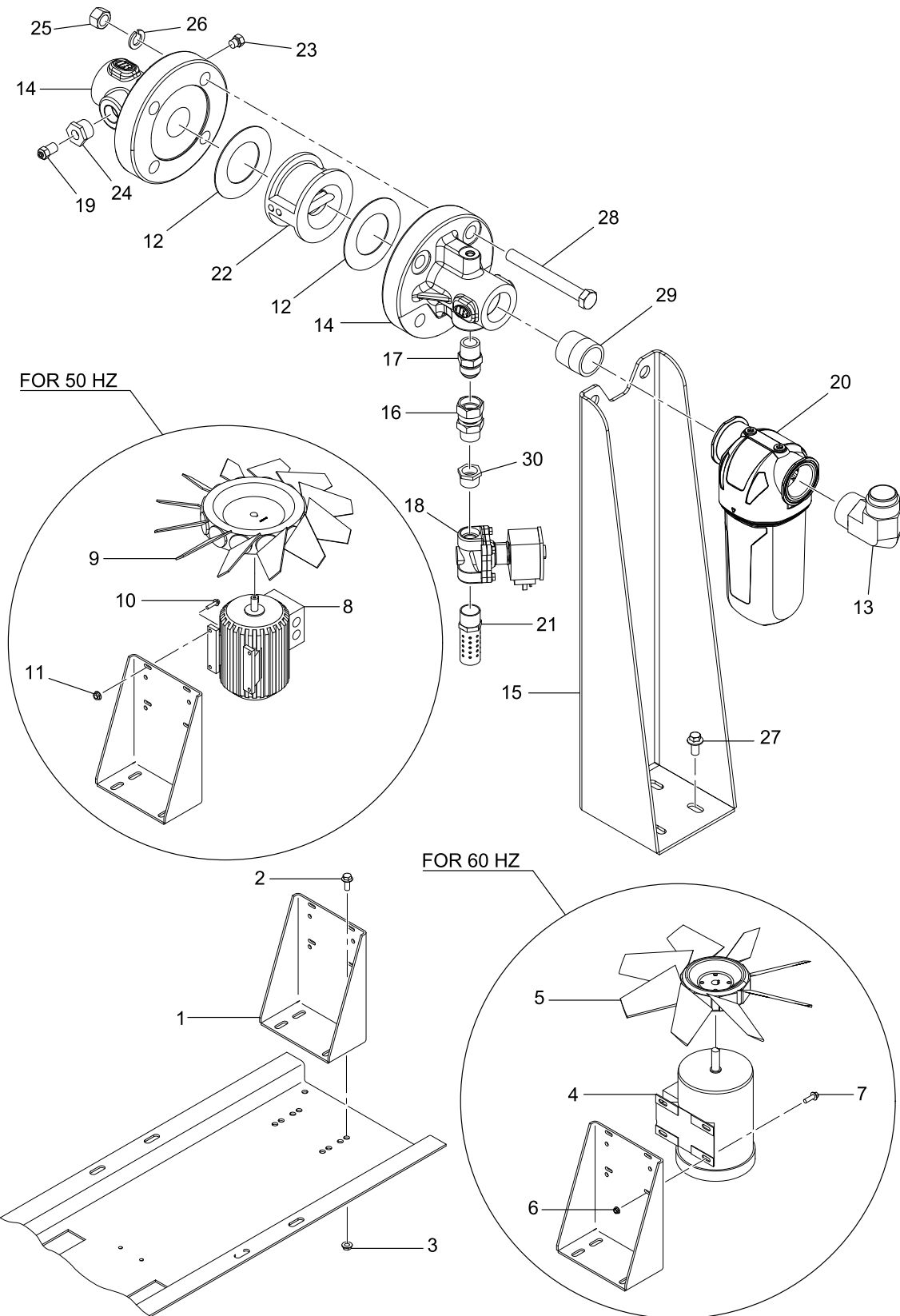
# A/C COOLER AND PIPING ASSEMBLY



**A/C COOLER AND PIPING ASSEMBLY**

<b>Item</b>	<b>Part No.</b>	<b>Description</b>	<b>Qty.</b>
1	22453732	WALL, DIVIDER FRONT TOP AKG	1
2	22485171	SHIELD, HEAT COOLER A/C	1
3	39917489	SCREW	9
4	22452163	TUBE, 1.0 COOLER OUT AKG 148	1
	22614846	TUBE, 1.0 COOLER OUT AKG 148 (SS)	1
5	23454838	TUBE, 2.0 2ND STAGE OUTLET AKG	1
6	85561082	HOSE	1
7	95938148	CONNECTOR	3
8	95985578	CONNECTOR	1
9	23837388	VENTURI, SECOND STAGE	1
10	39304993	GASKET, FLANGE, HIGH TEMP	1
11	95934741	WASHER, LOCK HELICAL SPRING	4
12	95991584	ELBOW	1
13	96722236	SCREW	4
14	95984258	PLUG, SOCKET	1

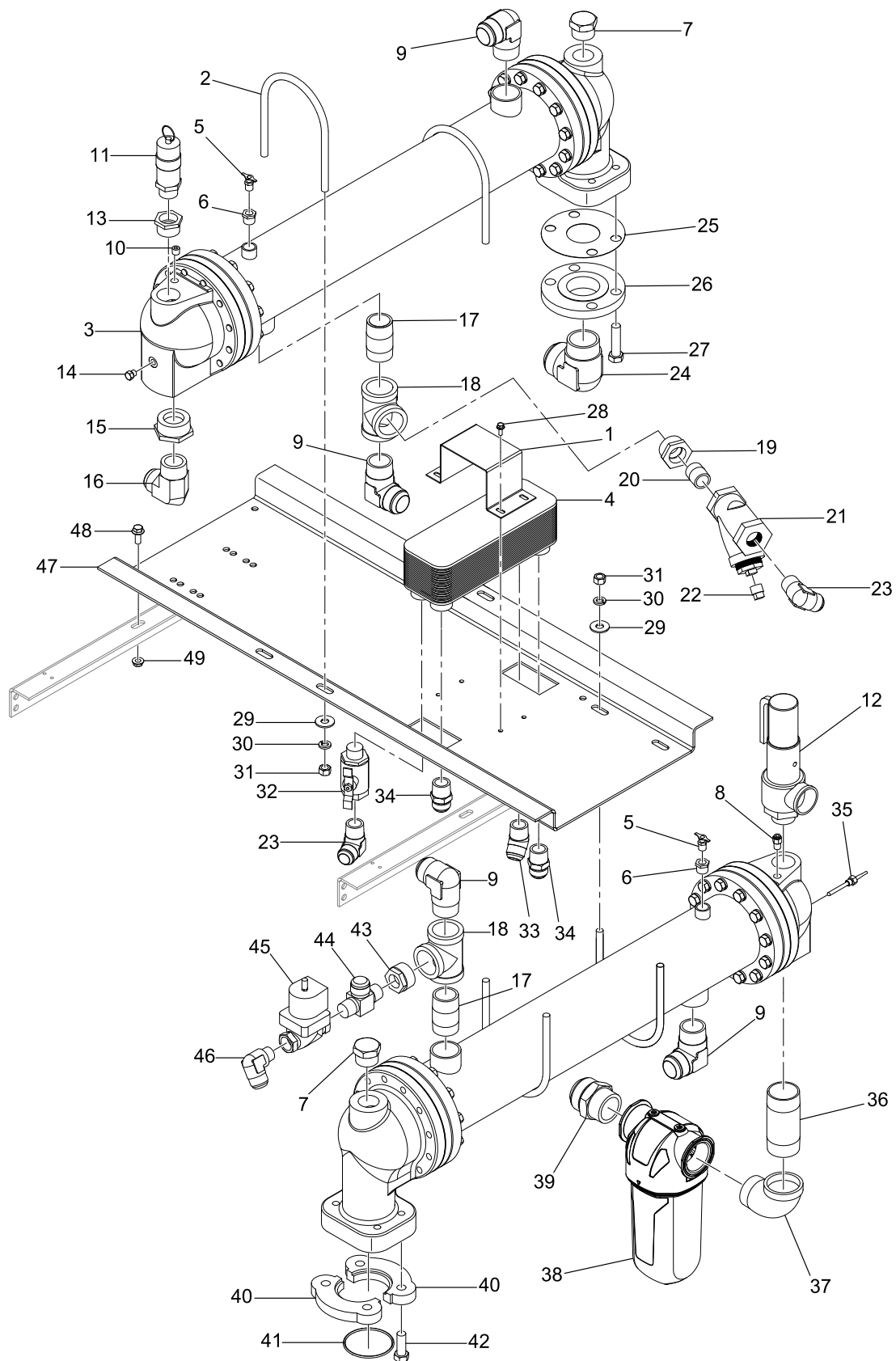
# W/C COOLER AND PIPING ASSEMBLY



## W/C COOLER AND PIPING ASSEMBLY

Item	Part No.	Description	Qty.
1	22477111	SUPPORT FAN MOTOR	1
2	96726914	BOLT	4
3	96704846	NUT	4
4	39333554	MOTOR, FAN 1/2 HP TEFC 460 VOLT - 60 Hz	1
	39482468	MOTOR, FAN 1/2 HP TEFC 380 VOLT - 60 Hz	1
5	39858147	FAN, 16 INCH DIAMETER (35 DEGREE PITCH)	1
6	96704416	NUT, HEX FLANGE LOCK SERRATED M8-1.25	4
7	96712153	SCREW, HEX HEAD FLANGE M8 X 25.0 LONG	4
8	24507071	MOTOR, FAN 220-230V/380- 415V	1
9	93499127	FAN	1
10	96714340	SCREW	4
11	96737564	NUT	4
12	17783473	GASKET	2
13	22187736	ELBOW	1
14	22526610	MANIFOLD, 60 HZ	2
		MANIFOLD, 50 HZ	1
	22526628	MANIFOLD, 50 HZ	1
15	22528343	SUPPORT, AIR DISCHARGE 1.5 MOIST SEP-CAST MANIFOLD	1
16	22648018	CONNECTOR	1
17	22648026	CONNECTOR	1
18	23402670	VALVE, SOLENOID BLOWDOWN .75 INCH NPT	1
19	39156435	MALE CONNECTOR	1
20	17933453	SEPARATOR, MOISTURE 1.5 NPT INLET X 1.5 NPT OUTLET	1
21	22321038	MUFFLER, BANTAM	1
22	67981688	VALVE, WAFER CHECK	1
23	95938965	PLUG, .44 SAE (60 HZ ONLY)	1
24	95944633	BUSHING, REDUCER	1
25	96711882	NUT	4
26	96721097	WASHER, SPRING LOCK	4
27	96737549	SCREW	4
28	96739602	SCREW	4
29	95669412	NIPPLE, EXTRA STRONG	1
30	95531380	BUSHING, REDUCER	1

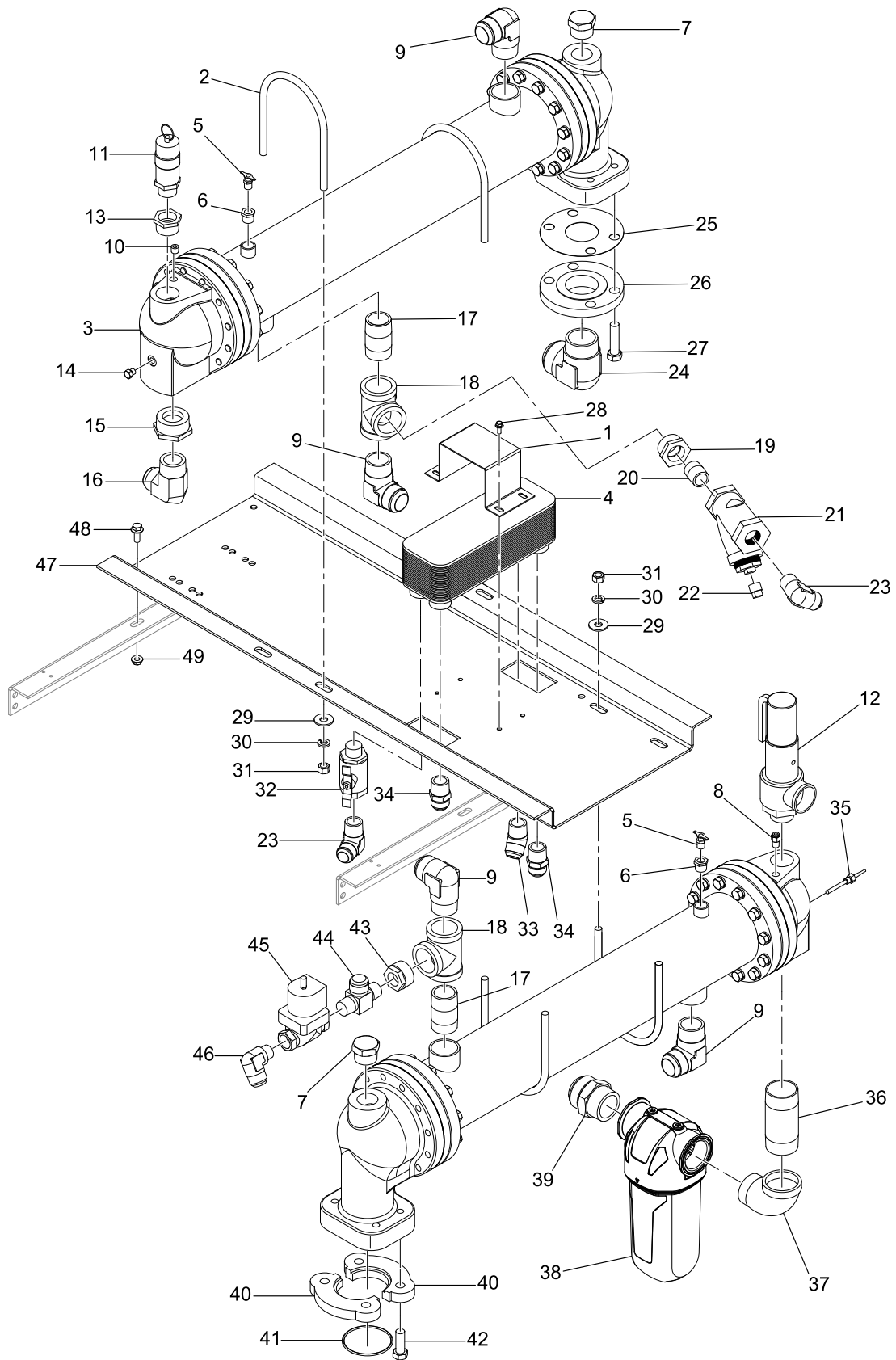
# W/C COOLER AND PIPING ASSEMBLY



**W/C COOLER AND PIPING ASSEMBLY**

<b>Item</b>	<b>Part No.</b>	<b>Description</b>	<b>Qty.</b>
1	22538466	BRACE, OIL COOLER (WATER COOLED)	1
2	95978425	U-BOLT	4
3	39905633	ASSEMBLY, WATER COOLED, COOLERS - COPPER TUBES	2
	39905625	ASSEMBLY, WATER COOLED, COOLERS - STAINLESS STEEL TUBES	2
4	22476014	COOLER, OIL (WATER COOLED)	1
5	95250692	DRAIN, VALVE	2
6	95944625	BUSHING, REDUCER	2
7	95954061	PLUG, HEX	2
8	39156435	CONNECTOR	1
9	95949749	ELBOW	2
10	95928230	PLUG, SOCKET	1
11	39114145	VALVE, SAFETY 1.0 NPT 165 PSIG	1
	22219836	VALVE, SAFETY 1.0 NPT 11.3 BARG	1
12	39324827	VALVE, SAFETY 1.25 INCH INLET 45 PSIG	1
	22147805	VALVE, SAFETY 1.25 INCH INLET 3.1 BARG	1
13	95937439	BUSHING, REDUCER	1
14	95938965	PLUG	1
15	95333316	BUSHING, REDUCER	1
16	22187736	ELBOW	1
17	95147476	NIPPLE	2
18	95954244	TEE	2
19	95941043	BUSHING, REDUCER	1
20	95946117	NIPPLE	1
21	39157433	STRAINER	1
22	95387361	PLUG, SQUARE HEAD	1
23	95937645	ELBOW	2
24	95937678	ELBOW	1
25	39323555	GASKET, FLANGE	1
26	39323548	FLANGE, SPECIAL IGNORE	1
27	95104444	SCREW, CAP HEX HEAD	4
28	96742689	BOLT	4
29	95922258	WASHER, PLAIN	8
30	95934733	WASHER, LOCK HELICAL SPRING	8
31	95922902	NUT	8
32	39105754	VALVE, BALL	1
33	95988572	ELBOW	1
34	95937520	CONNECTOR	2
	95973046	CONNECTOR, STAINLESS	2

# W/C COOLER AND PIPING ASSEMBLY

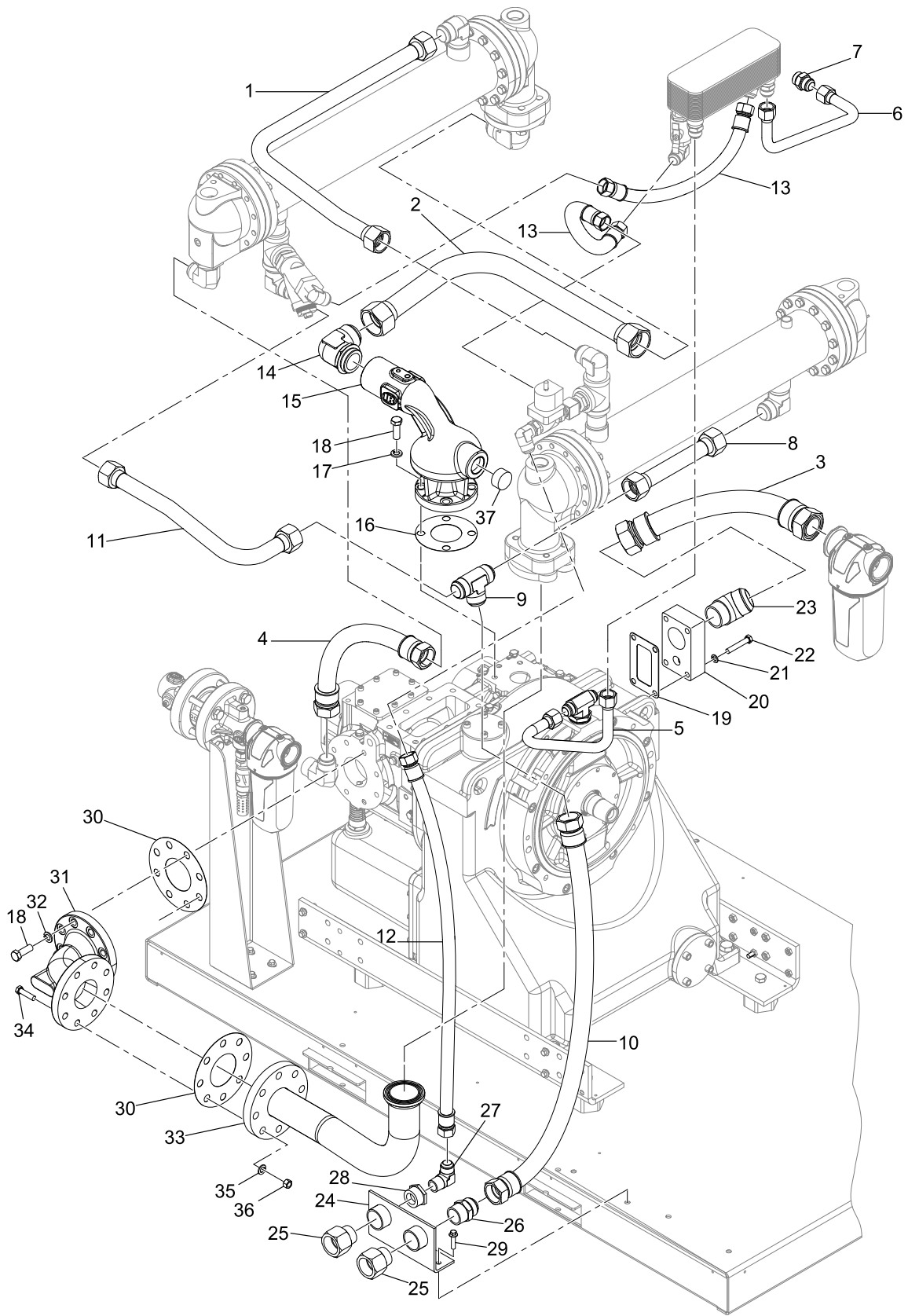




**W/C COOLER AND PIPING ASSEMBLY**

<b>Item</b>	<b>Part No.</b>	<b>Description</b>	<b>Qty.</b>
35	85652535	SENSOR, TEMPERATURE THERMISTOR	1
36	95944484	NIPPLE, STANDARD	1
37	95355988	ELBOW	1
38	17933451	SEPARATOR, MOISTURE	1
39	22219380	CONNECTOR	1
40	95016283	FLANGE, SPLIT HALVES	2
41	54624796	O-RING	1
42	95934154	SCREW	4
43	95953873	BUSHING, REDUCER	1
44	39499744	TEE	2
45	39332333	VALVE, SOLENOID DIN .75 NPT	1
46	95937652	ELBOW	1
47	23444375	SUPPORT, COOLER WATER COOLED	1
48	96726914	BOLT	12
49	96704846	NUT	12

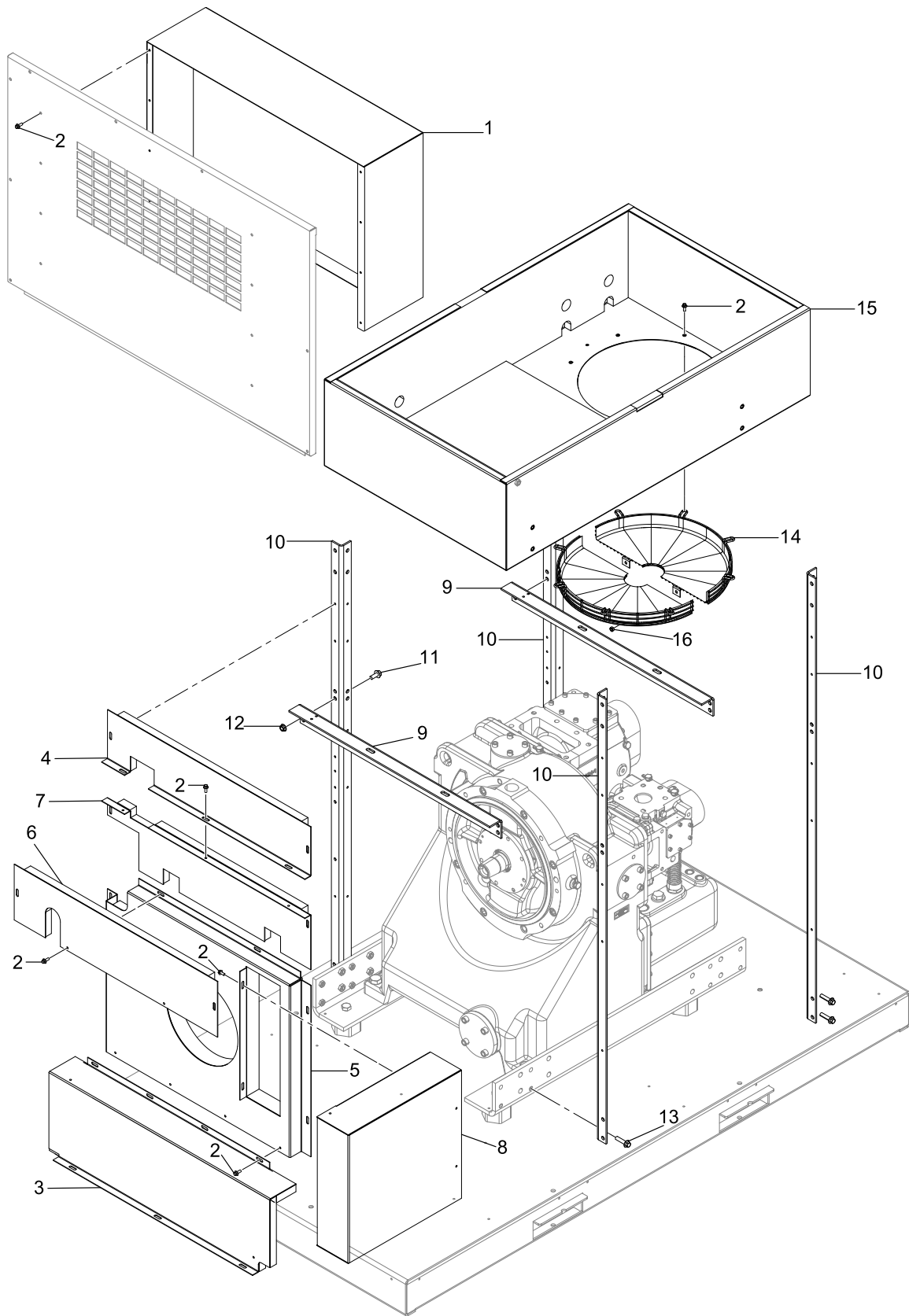
# W/C COOLER AND PIPING ASSEMBLY



## W/C COOLER AND PIPING ASSEMBLY

Item	Part No.	Description	Qty.
1	22454920	TUBE, AFT-CLR WATER OUT	1
2	22903082	TUBE, VENTURI TO AFTCLR WATERCOOLED	1
3	23113533	HOSE	1
4	23113517	HOSE	1
5	23461320	TUBE, 1.0 OIL IN BRAZED OILCOOLER, WATER COOLED	1
	23461346	TUBE, 1.0 OIL IN BRAZED OILCOOLER, WATER COOLED (SS)	1
6	23461338	TUBE, 1.0 OIL OUT BRAZED OILCOOLER, WATER COOLED	1
	23461312	TUBE, 1.0 OIL OUT BRAZED OILCOOLER, WATER COOLED (SS)	1
7	95938148	CONNECTOR	2
	95934394	CONNECTOR (SS)	2
8	22455208	TUBE, INTER-CLR WATER IN	1
9	95937165	TEE, UNION	1
10	85562536	HOSE	1
11	22455216	TUBE, AFT-CLR WATER IN	1
12	85561157	HOSE	1
13	85561017	HOSE, WATER IN INTERCOOLER	2
14	95991584	ELBOW	1
15	23837388	VENTURI, SECOND STAGE	1
16	39304993	GASKET, FLANGE, HIGH TEMP	1
17	95934741	WASHER, LOCK HELICAL SPRING	4
18	96722236	SCREW	12
19	39302948	GASKET, 2ND STAGE INLET	1
20	22292593	PLATE, 2ND STAGE INLET	1
21	96739933	WASHER, SPRING LOCK	4
22	96714050	SCREW	4
23	22255764	ELBOW	1
24	22451546	MANIFOLD, WTR IN AND OUT	1
25	39325576	ADAPTER	2
26	95937553	CONNECTOR	1
27	95937645	ELBOW	1
28	95941043	BUSHING, REDUCER	1
29	96719232	SCREW, HEX HEAD FLANGE	2
30	39331053	GASKET, VENTURI OUTLET, HIGH TEMP	2
31	39842679	VENTURI, CD8 FIRST STAGE	1
32	96721097	WASHER, SPRING LOCK	8
33	22290001	TUBE, 3.0 1ST STAGE TO INTERCOOLER	1
34	96705520	SCREW	8
35	96721097	WASHER, SPRING LOCK	8
36	96711882	NUT, HEX	8
37	95984258	PLUG, SOCKET	1

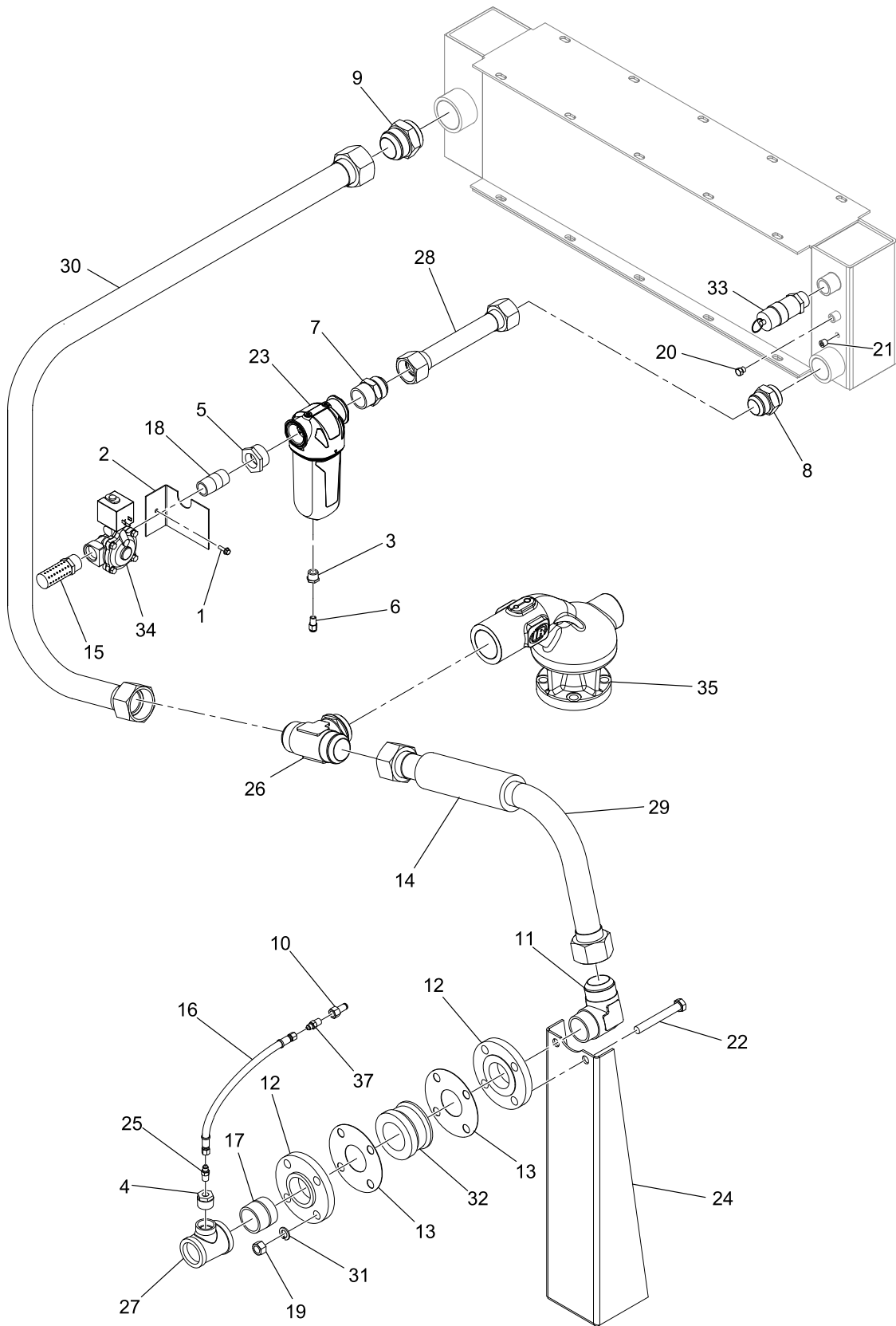
# W/C COOLER AND PIPING ASSEMBLY



**W/C COOLER AND PIPING ASSEMBLY**

<b>Item</b>	<b>Part No.</b>	<b>Description</b>	<b>Qty.</b>
1	22526800	CHUTE,, AND FOAM WATER COOLED	1
2	39917489	SCREW	46
3	22509533	ASSEMBLY, WALL DIVIDER BOTTOM WITH FOAM	1
4	22581995	ASSEMBLY, BAFFLE TOP AND FOAM WC	1
5	22582027	ASSEMBLY, WALL DIVIDER HPM WITH FOAM	1
6	22582118	ASSEMBLY, BAFFLE CENTER AND FOAM WC	1
7	22582530	ASSEMBLY, BAFFLE TOP RIGHT AND FOAM WC	1
8	22394076	DUCT, HEAT SINKS TO HOT SIDE	1
9	22310254	SUPPORT, HORIZ. BLOWER HOUSING MOTOR END	2
10	22448138	SUPPORT, VERT. BLOWER HOUSING MOTOR END	4
11	96726914	BOLT	12
12	96704846	NUT	12
13	96719232	SCREW, HEX HEAD FLANGE M10 X 40.0 LONG	8
14	54397724	GUARD, FAN (WATER COOLED)	2
15	22526982	EXHAUST,, PLENUM AND FOAM WATER COOLED	1
16	39128426	SCREW	2

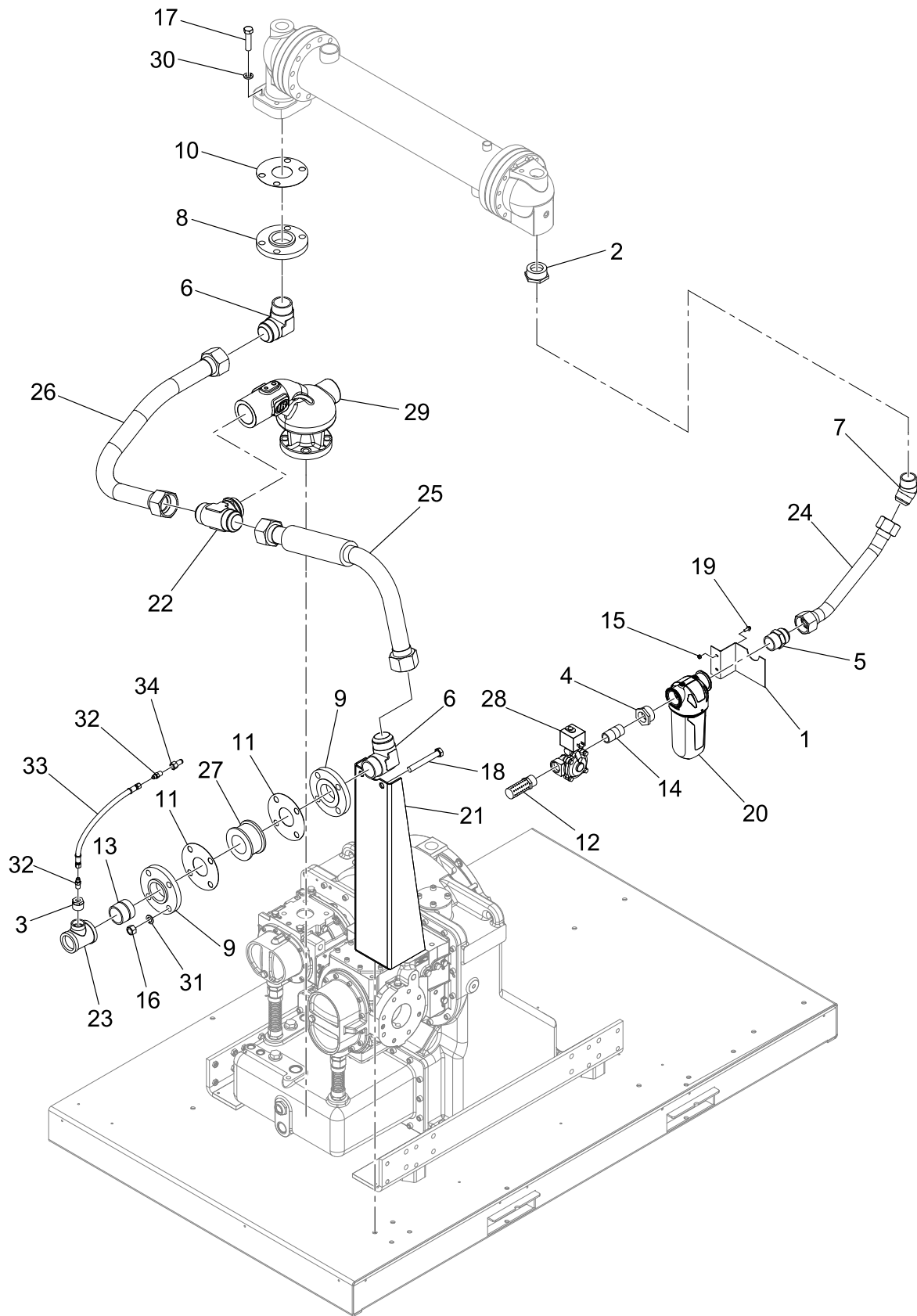
# HOT AIR DISCHARGE (A/C) ASSEMBLY



## HOT AIR DISCHARGE (A/C) ASSEMBLY

Item	Part No.	Description	Qty.
1	96753249	BOLT	1
2	23961287	BRACKET,TUBE	1
3	95388369	BUSHING, REDUCER	1
4	95938601	BUSHING, REDUCER	1
5	95333290	BUSHING, REDUCER	1
6	39156419	CONNECTOR	1
7	95937553	CONNECTOR	1
8	95962312	CONNECTOR	1
9	95985578	CONNECTOR	1
10	39156443	CONNECTOR	1
11	95937678	ELBOW	1
12	39483011	FLANGE, THREADED	2
13	39331061	GASKET, FLANGE	2
14	22112692	INSULATION HOSE	1
15	22321038	MUFFLER, BANTAM	1
16	39117569	HOSE	1
17	95944609	NIPPLE	1
18	95242053	NIPPLE	1
19	96711882	NUT	4
20	95938965	PLUG	1
21	95928230	PLUG, SOCKET	1
22	96746466	SCREW	4
23	17933453	SEPARATOR, MOISTURE	1
24	22390959	SUPPORT, AIR DISCHARGE	1
25	95973301	CONNECTOR	2
26	95943023	TEE, BRANCH	1
27	95946208	TEE, REDUCING	1
28	23990690	TUBE, BLOWDOWN	1
29	24073017	TUBE	1
30	24073140	TUBE	1
31	96721097	LOCKWASHER	4
32	24782617	VALVE, DISCHARGE CHECK	1
33	39114145	VALVE, SAFETY	1
34	23402670	VALVE, BLOWDOWN SOLENOID	1
35	22684526	VENTURI, SECOND STAGE	1

# HOT AIR DISCHARGE (W/C) ASSEMBLY

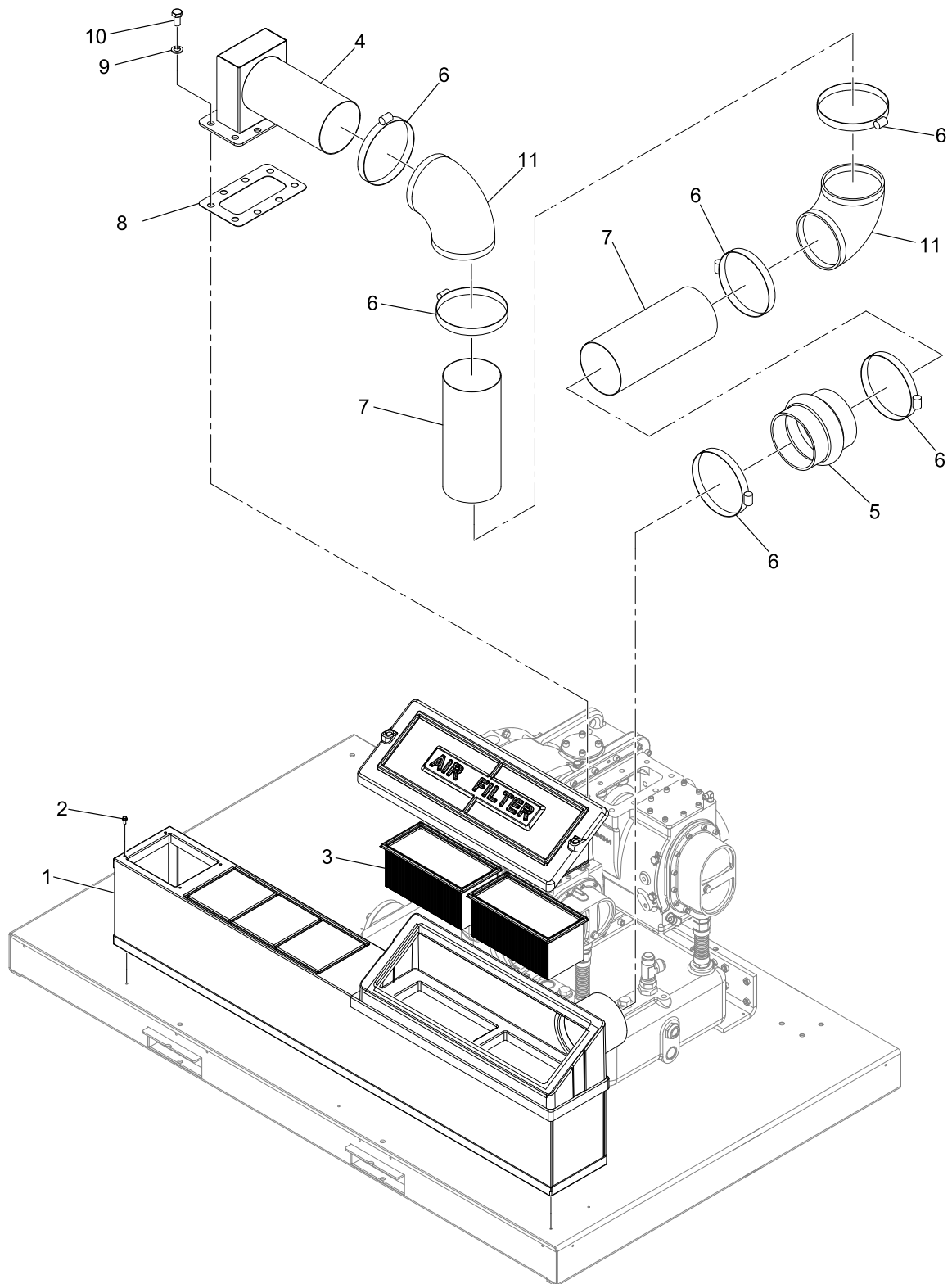




## HOT AIR DISCHARGE (W/C) ASSEMBLY

Item	Part No.	Description	Qty.
1	23958085	BRACKET	1
2	95333316	BUSHING, REDUCER	1
3	95938601	BUSHING, REDUCER	1
4	95333290	BUSHING, REDUCER	1
5	95937553	CONNECTOR	1
6	95937678	ELBOW	2
7	95937751	ELBOW	1
8	39323548	FLANGE	1
9	39483011	FLANGE, THREADED	2
10	39323555	GASKET	1
11	39331061	GASKET, HIGH TEMPERATURE	2
12	22321038	MUFFLER, BANTAM	1
13	95944609	NIPPLE	1
14	95242053	NIPPLE	1
15	96703806	NUT	2
16	96711882	NUT	4
17	95104444	SCREW	4
18	96746466	SCREW	4
19	39917489	SCREW	2
20	17933453	SEPARATOR, MOISTURE	1
21	22390959	SUPPORT, AIR DISCHARGE	1
22	95943023	TEE, BRANCH	1
23	95946208	TEE, REDUCING	1
24	23958077	TUBE, BLOWDOWN	1
25	24073017	TUBE, 2ND STG DISCHARGE	1
26	23954118	TUBE, VENTURI TO BLOWDOWN WATER COOLED	1
27	23650625	VALVE, DISCHARGE CHECK	1
28	23402670	VALVE, BLOWDOWN SOLENOID	1
29	23837388	VENTURI, SECOND STAGE	1
30	95934741	WASHER	4
31	96721097	LOCKWASHER	4
32	95973301	CONNECTOR	2
33	39117569	HOSE	1
34	39156443	CONNECTOR	1

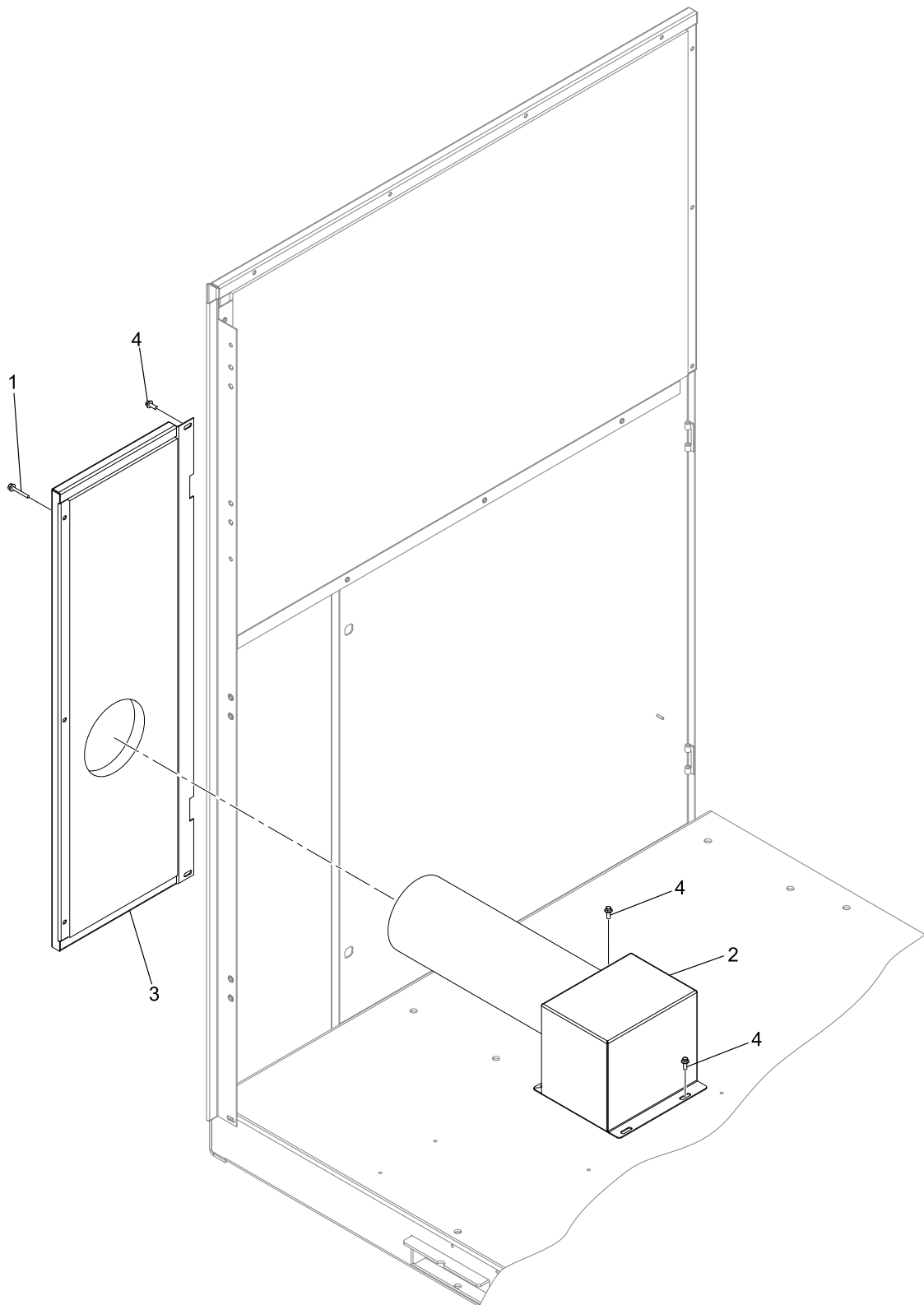
# AIR FILTER ASSEMBLY



**AIR FILTER ASSEMBLY**

<b>Item</b>	<b>Part No.</b>	<b>Description</b>	<b>Qty.</b>
1	42629261	ASSEMBLY, AIR INTAKE BOX	1
2	39917489	SCREW	10
3	22338115	ELEMENT, AIR FILTER	2
4	22300263	ADAPTER, AIREND INLET TO TUBE	1
5	35114537	HUMP HOSE	1
6	39117536	CLAMP, WORM	6
7	39329867	TUBE, 6.0 AIR INTAKE	2
8	39568258	GASKET, INLET VALVE	1
9	96701438	WASHER, PLAIN	8
10	96706247	SCREW	8
11	35117605	ELBOW	2

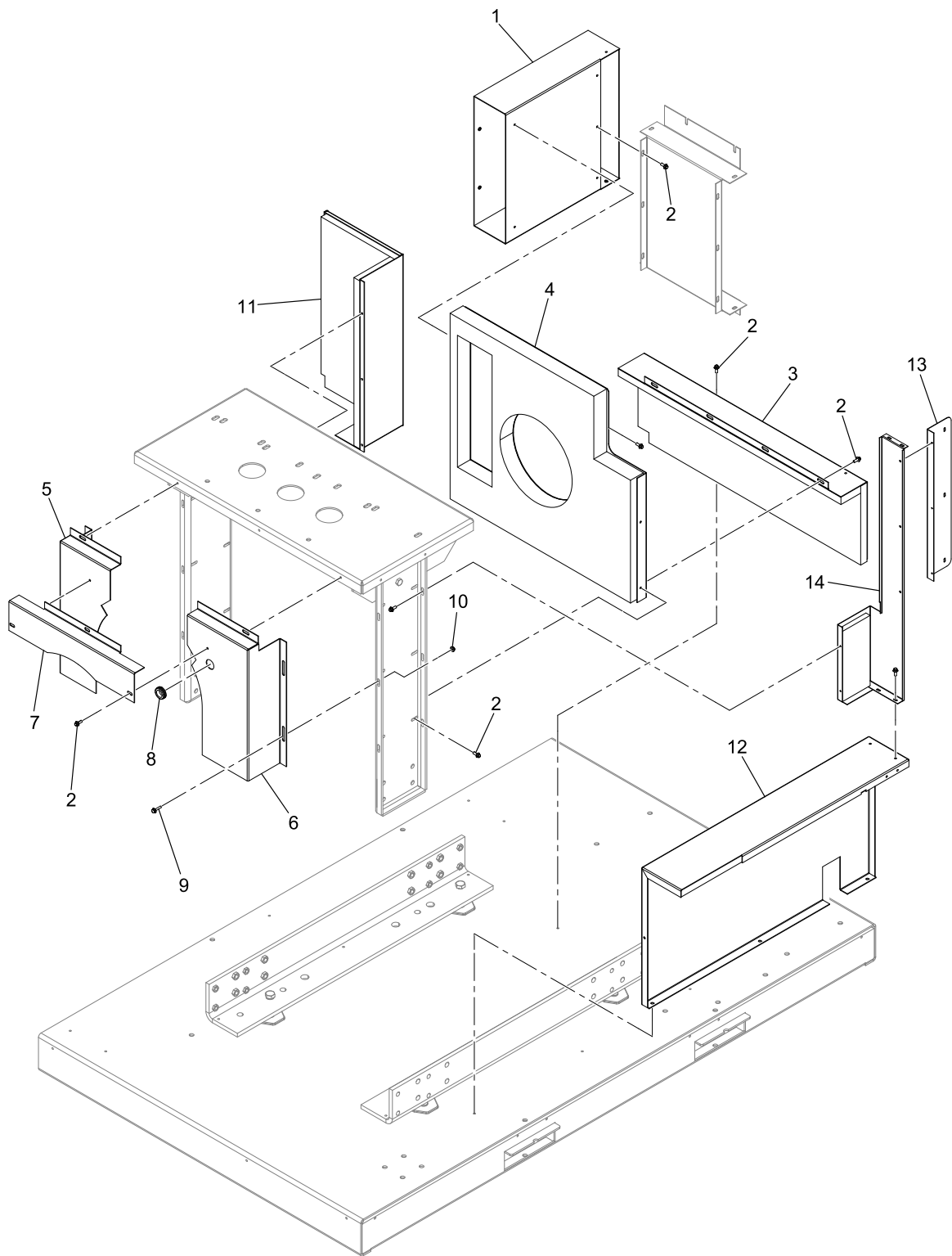
# REMOTE INTAKE ASSEMBLY



**REMOTE INTAKE ASSEMBLY**

<b>Item</b>	<b>Part No.</b>	<b>Description</b>	<b>Qty.</b>
1	22312110	SCREW, HEX HEAD	3
2	22598395	ADAPTER, REMOTE INTAKE DUCT TO ENCLOSURE	1
3	22598403	ASSEMBLY, PANEL REMOTE ITAKE WITH FOAM	1
4	39917489	SCREW	6

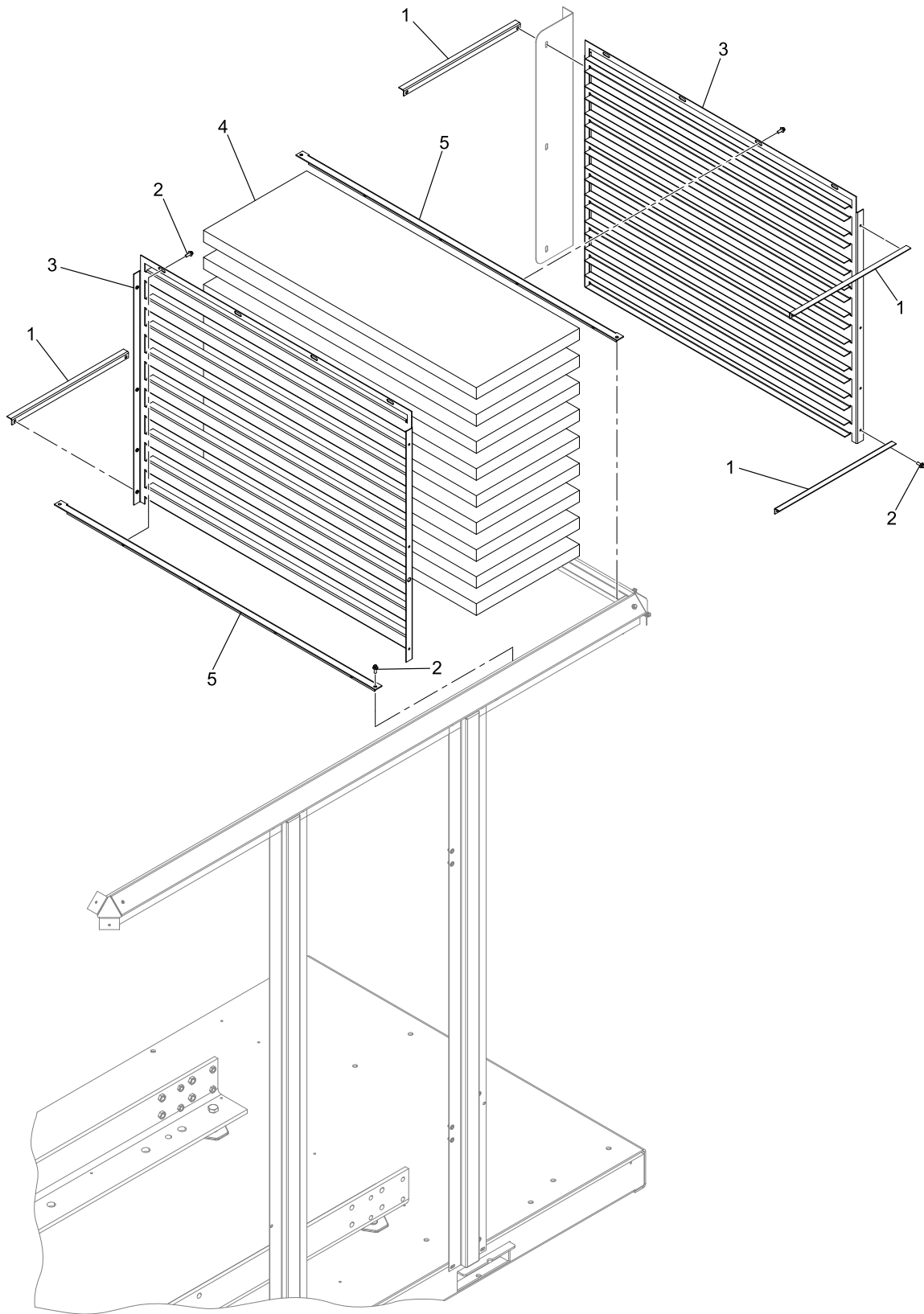
# INLET BATTS (A/C) ASSEMBLY



**INLET BATTS (A/C) ASSEMBLY**

<b>Item</b>	<b>Part No.</b>	<b>Description</b>	<b>Qty.</b>
1	22394076	DUCT, HEAT SINKS TO HOT SIDE	1
2	39917489	SCREW, HEX HEAD FLANGE	41
3	22509533	ASSEMBLY, WALL DIVIDER BOTTOM WITH FOAM	1
4	22509558	ASSEMBLY, WALL DIVIDER hpM WITH FOAM	1
5	22470876	DEFLECTOR, MOTOR FRONT	1
6	22470884	DEFLECTOR, MOTOR REAR	1
7	22476535	DEFLECTOR, MOTOR CENTER	1
8	39181086	GROMMET, RUBBER .875 ID	1
9	96714340	SCREW, HEX HEAD FLANGE	4
10	96737564	NUT, HEX FLANGE LOCK	4
11	22509525	ASSEMBLY, WALL DIVIDER LOWER FRONT WITH FOAM	1
12	22509566	ASSEMBLY, WALL DIVIDER BYPASS DUCT WITH FOAM	1
13	22454482	WALL, REAR BATT SUPT	1
14	22509574	ASSEMBLY, WALL DIVIDER REAR WITH FOAM	1

# INLET BATTS (A/C) ASSEMBLY

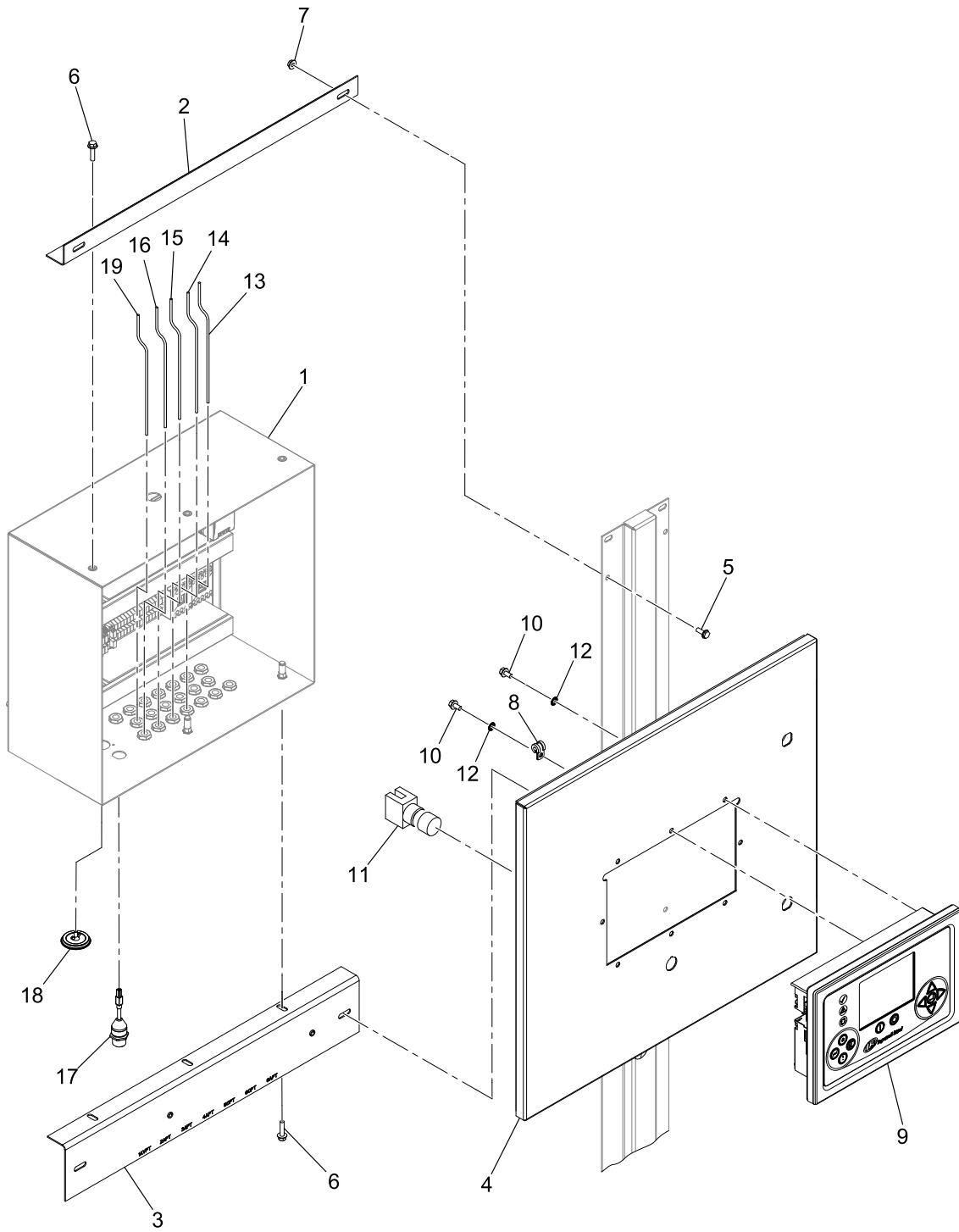




## INLET BATTS (A/C) ASSEMBLY

<b>Item</b>	<b>Part No.</b>	<b>Description</b>	<b>Qty.</b>
1	22396394	ANGLE, BATT RACK BOTTOM	4
2	39917489	SCREW, HEX HEAD FLANGE	25
3	22421887	SUPPORT, 38MM BATTS	2
4	22421945	BATT, FOAM	9
5	22395974	SUPPORT, BATT RACK	2

# LOW VOLTAGE BOX ASSEMBLY

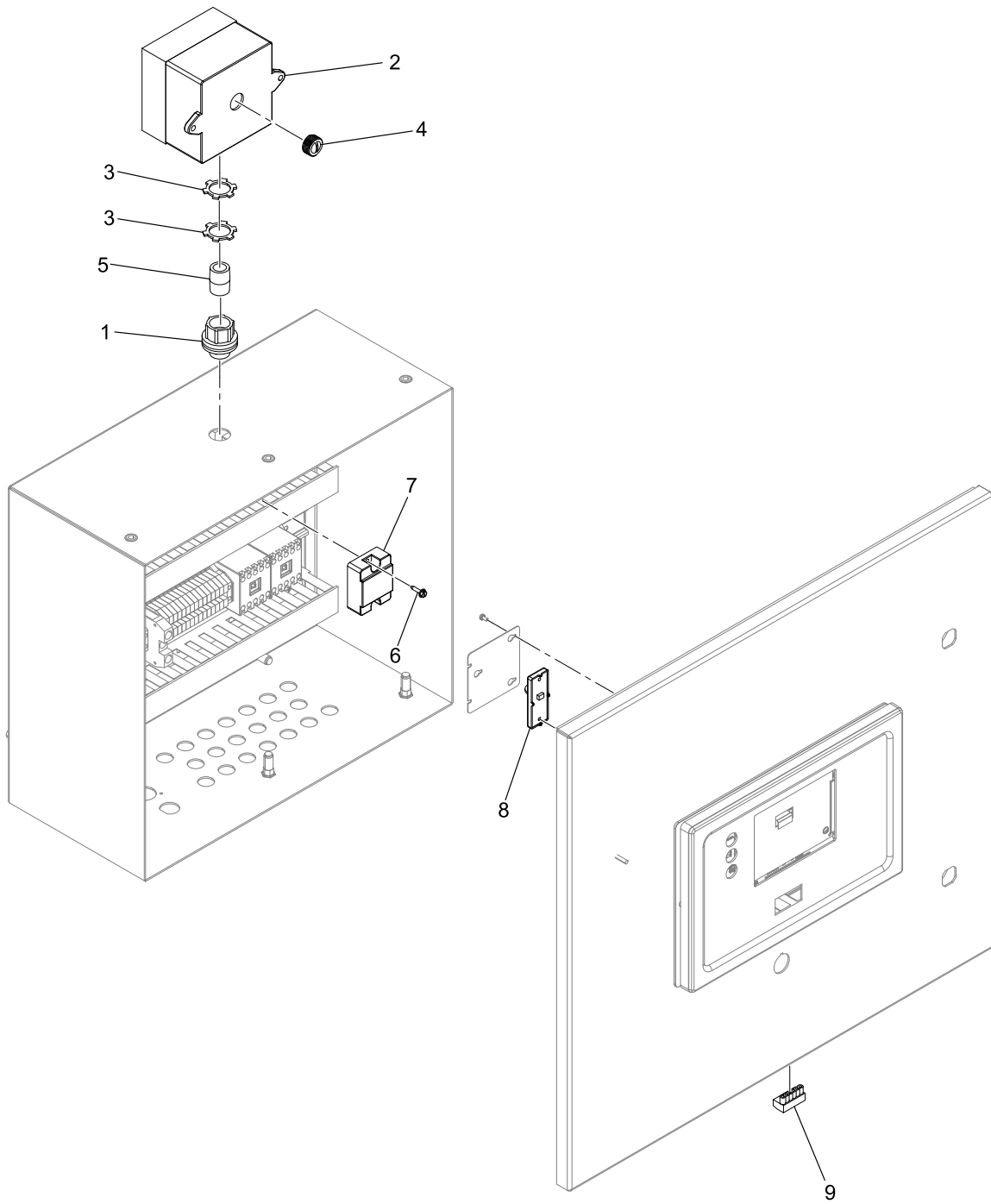


## LOW VOLTAGE BOX ASSEMBLY

Item	Part No.	Description	Qty.
1	47605609001	MODULE, INTELL PANEL W/BOX N37-75 OF (XE) AC	1
	47610496001	MODULE, INTELL PANEL W/ BOX N37-75 OF (XE) WC	1
	47632276001	MODULE, INTELL PANEL W/BOX N37-75 OF (XE) AC EMEA	1
	47632277001	MODULE, INTELL PANEL W/BOX N37-75 OF (XE) WC EMEA	1
2	22348031	SUPPORT, INTELLISYS BOX	1
3	22390124	SUPPORT, INTELLISYS BOX	1
4	92789379	SEAL, EDGE	A/R
5	96704531	SCREW, M6	4
6	96728571	BOLT, M6	6
7	96737564	NUT	4
8	22480412	CLAMP, TUBE INSULATED	3
9	24852626	CONTROLLER, Xe-145M NIRVANA OIL-FREE (FOR AFTERMARKET) W/ SOFTWARE: 24474728 (PRELOADED FOR NIRVANA OIL-FREE)	1
	23711288	CONTROLLER, Xe-145M (FOR PRODUCTION) W/ SOFTWARE R37 - 160 : 23748973 (MUST BE REPROGRAMMED FOR NIRVANA OF)	1
10	23829344	SCREW, M6	8
11	54690896	SWITCH, EMERGENCY STOP	1
12	95929055	WASHER, FLAT TYPE	8
13	22135560	CABLE ASSEMBLY, 3SV	1
14	22264717	CABLE ASSEMBLY, 5SV, NL90-160kW	1
15	22264725	CABLE ASSEMBLY, 6SV	1
16	22264733	CABLE ASSEMBLY, 9SV, NL90-160kW	1
17	23568447	KIT, USB SERVICE PORT AND CABLE	1
18	23936446	SEAL	1
19	24089898	CABLE, DRIVE COMMUNICATION	1
**	ZS1216476	HELIX MODEM KIT WITH ANTENNA (EMEA)	1
**	47723986001	DIVIDED GLAND HELIX (EMEA)	1
**	47723987001	HELIX GLAND SEAL (EMEA)	1
**	47723988001	BLIND PLUG FOR HELIX GLAND (EMEA)	1

**	NOT ILLUSTRATED
A/R	AS REQUIRED

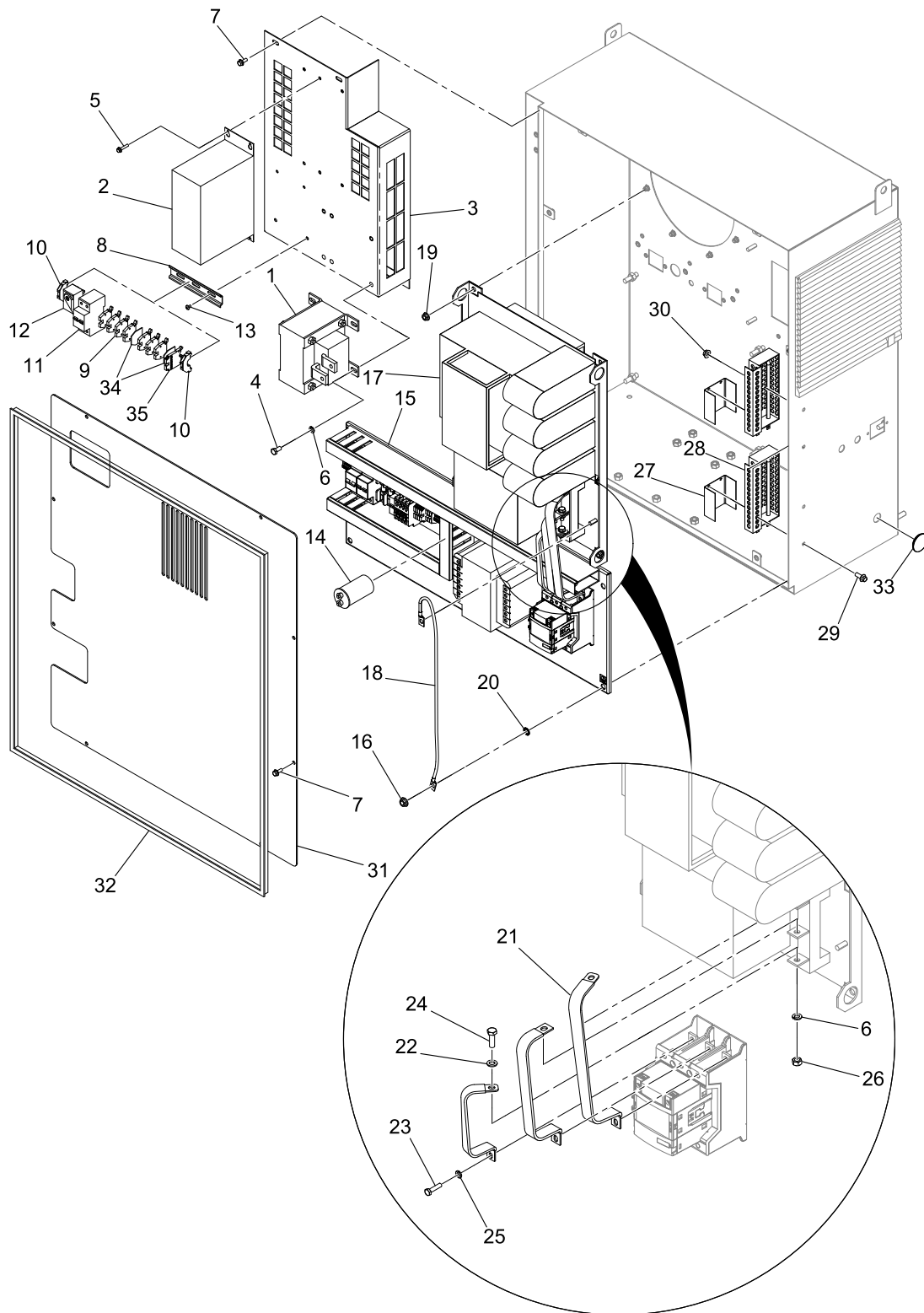
# PORO (Xe) ASSEMBLY



**PORO (Xe) ASSEMBLY**

<b>Item</b>	<b>Part No.</b>	<b>Description</b>	<b>Qty.</b>
1	35275494	HUB	1
2	39100136	MOD ALRM HORN W/WEATHER RESISTANT BACK BOX	1
3	39108949	LOCKNUT	2
4	39146733	PLUG	1
5	95785192	NIPPLE	1
6	35249721	SCREW, SLOTTED WASHER HEAD	2
7	39198528	RELAY, SOLID STATE	1
8	23749021	MODULE, PORO AND SCHEDULED S/S OPTION	1
9	39186093	PLUG	1
**	39129085	WIRE	A/R
**	39146782	WIRE	A/R
A/R	AS REQUIRED		
**	NOT ILLUSTRATED		

# MAIN PDM COMPONENTS ASSEMBLY

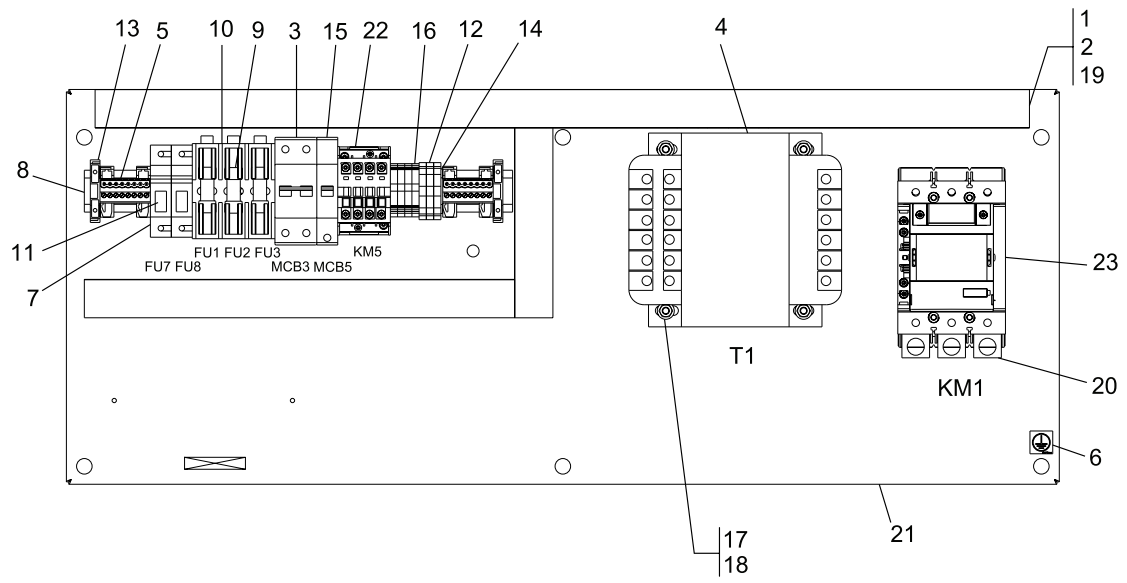


Item	Part No.	Description	Qty.
1	22208128	CHOKE, DC MD120T, 75 kW/100 hp 380-480V	1
	22208110	CHOKE, DC MD100T, 55 kW/75 hp 380-480V	1
	22236434	CHOKE, MD75TL & 100TL, 55 kW/75 hp 200-230V	1
2	47590914001	DRIVE, FAN VF (FC51M3) 4KW	1
3	47591203001	GUARD, HEAT SINK BLOWER N55-75 kW-OF	1

## MAIN PDM COMPONENTS ASSEMBLY

Item	Part No.	Description	Qty.
4	96702816	SCREW, HEX HEAD	4
5	96720115	BOLT, HEX FLANGE	3
6	96741467	WASHER, SPRING LOCK	7
7	96742689	BOLT, HEX FLANGE	13
8	23464530	RAIL, DIN	A/R
9	39252903	BLOCK, TERMINAL	7
10	39252937	STOP, DIN RAIL N37-75	2
11	47518364001	BREAKER, CIRCUIT	1
12	54766928	THERMOSTAT, NORMALLY CLOSED	1
13	96741590	SCREW, MACHINE PAN HEAD	2
14	22249544	CAPACITOR, 6 MFD	1
	47701219001	CAPACITOR, 5.5 MFD (EMEA)	1
15	47652210001	BACKPANEL, (380-480 V) AC	1
	47652213001	BACKPANEL, (380-480 V) WC	1
	47632316001	BACKPANEL, (380-480 V) AC EMEA	1
	47632317001	BACKPANEL, (380-480 V) WC EMEA	1
16	96704846	NUT, HEX FLANGE LOCK	6
17	22156798	DRIVE, HPM 308-480V, N75K/100 hp(L-S MD120T)	1
	22156780	DRIVE, HPM 380-480V, N55 kW/75 hp(L-S MD100T)	1
	22156806	HPM 200-230 V N55KW/ 75HP(MD75TL) DRIVE	1
18	22644504	GROUND, WIRE 10 AWG	1
19	96704804	NUT, HEX FLANGE LOCK	6
20	96744396	WASHER, LOCK EXTERNAL TOOTH	1
21	47609786001	BUSBAR, N55-75 kW-OF 380/480 VOLTS	1
22	96701396	WASHER, PLAIN	3
23	96701461	SCREW, HEX HEAD	3
24	96702659	SCREW, HEX HEAD	3
25	96727581	WASHER	3
26	96735543	NUT	3
27	22203657	GUARD, HEATER	2
28	22424931	HEATER, 25 WATTS 120 V	2
29	96704408	SCREW, HEX HEAD FLANGE	4
30	96704416	NUT, HEX FLANGE LOCK	4
31	22388888	COVER, DRIVE HI-VOLT BOX	2
32	92789379	SEAL, EDGE	A/R
33	23936446	SEAL	1
34	54612940	TERMINAL, END PLATE	2
35	93469633	TERMINAL, EARTH M4/6.P	1
A/R	AS REQUIRED		

# BACKPANEL (380-480V-AC) ASSEMBLY

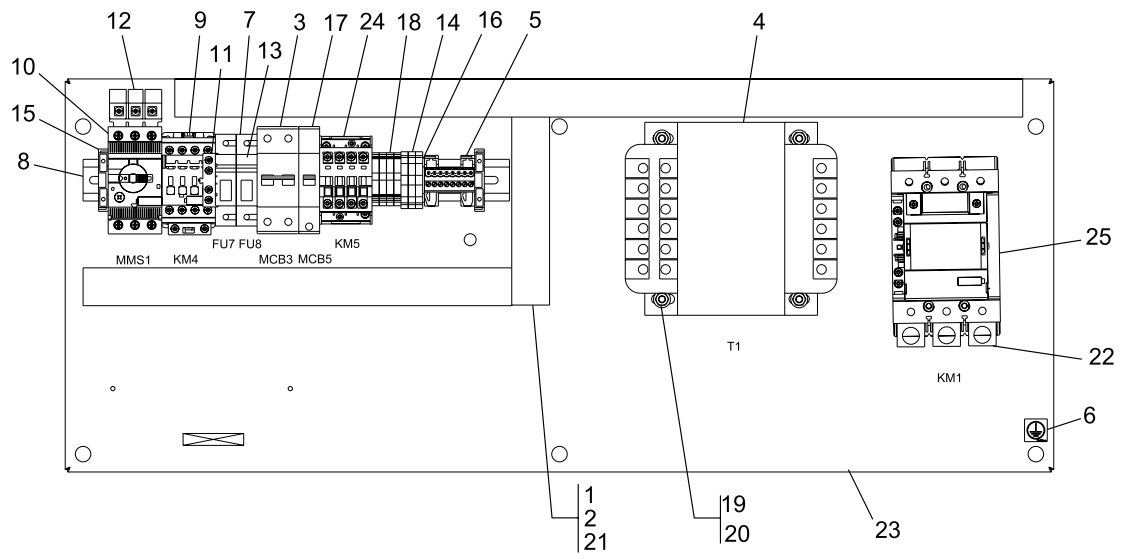




## BACKPANEL (380-480V-AC) ASSEMBLY

Item	Part No.	Description	Qty.
1	22101208	DUCT, WIRING	A/R
2	22101224	COVER, WIRING DUCT	A/R
3	22135800	BREAKER, CIRCUIT	1
4	22242390	TRANSFORMER, CONTROL 850VA MULTI-TAP 380-480V	1
5	22402622	CONNECTOR, PHOENIX	2
6	22477244	DECAL, GROUND SYMBOL	1
7	22859425	BLOCK, FUSE, 2-POLE	1
	24141962	BLOCK, FUSE, 2-POLE (EMEA)	1
8	23464530	RAIL, 35 MM DIN	A/R
9	23541568	FUSE, 30A	3
	23666357	FUSE, 32A (EMEA)	3
10	23580004	BLOCK, FUSE 3-POLE	1
	23666373	BLOCK, FUSE 3-POLE (EMEA)	1
11	39178736	FUSE	2
	24140576	FUSE (EMEA)	2
12	39252903	BLOCK, TERMINAL	3
13	39252937	STOP, DIN RAIL	2
14	54612940	TERMINAL, END PLATE	1
15	54689849	BREAKER, CIRCUIT	1
16	93469633	TERMINAL, EARTH	4
17	96701461	HHCS	4
18	96737564	NUT, SERRATED FLANGE	8
19	96751722	SCREW, TAPPING HEX	9
20	47604716001	KIT, TERMINAL LUG	1
21	47609784001	PANEL, BACK CD8 VSD	1
22	47611416001	CONTACTOR, RELAY	1
23	47612897001	CONTACTOR	1
A/R	AS REQUIRED		

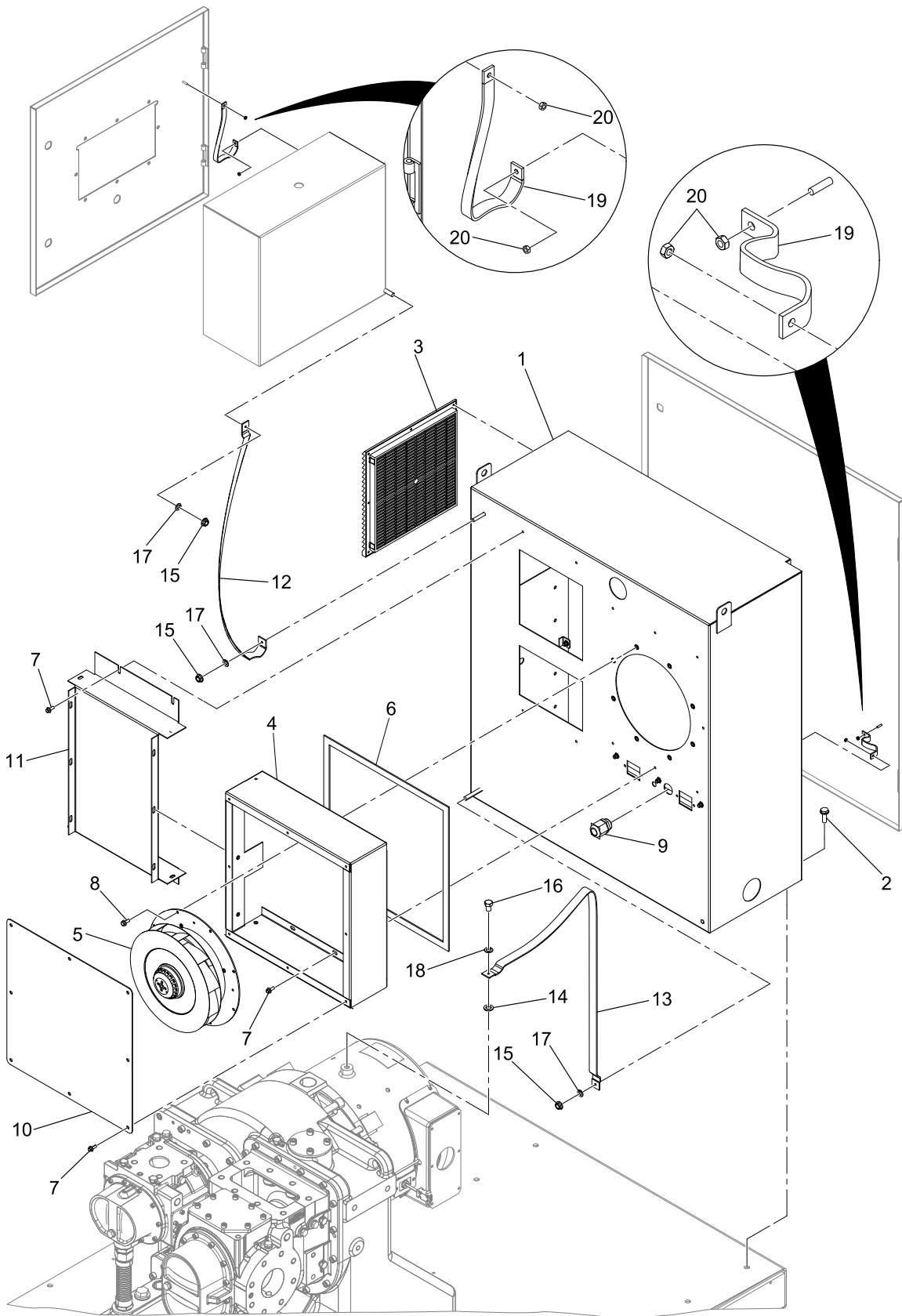
# BACKPANEL (380-480V-WC) ASSEMBLY



## BACKPANEL (380-480V-WC) ASSEMBLY

Item	Part No.	Description	Qty.
1	22101208	DUCT, WIRING	A/R
2	22101224	COVER, WIRING DUCT	A/R
3	22135800	BREAKER, CIRCUIT 1A - 2P MCB3	1
4	22242390	TRANSFORMER, CONTROL 850VA MULTI-TAP 380-480V	1
5	22402622	CONNECTOR	1
6	22477244	DECAL, GROUND SYMBOL	1
7	22859425	BLOCK, FUSE	1
	24141962	BLOCK, FUSE, 2-POLE (EMEA)	1
8	23464530	RAIL	A/R
9	24469686	CONTACTOR	1
10	24482788	STARTER, MANUAL MTR	1
11	24482895	CONTACT, AUX	1
12	24482903	TERMINAL	1
13	39178736	FUSE	2
	24140576	FUSE (EMEA)	2
14	39252903	BLOCK, TERMINAL	3
15	39252937	STOP, DIN RAIL	2
16	54612940	TERMINAL, END PLATE	1
17	54689849	BREAKER, CIRCUIT	1
18	93469633	TERMINAL, EARTH	4
19	96701461	HHCS	4
20	96737564	NUT	8
21	96751722	SCREW, TAPPING HEX	9
22	47604716001	KIT, TERMINAL LUG, ATK185	1
23	47609784001	PANEL, BACK CD8 VSD	1
24	47611416001	CONTACTOR	1
25	47612897001	CONTACTOR	1
A/R	AS REQUIRED		

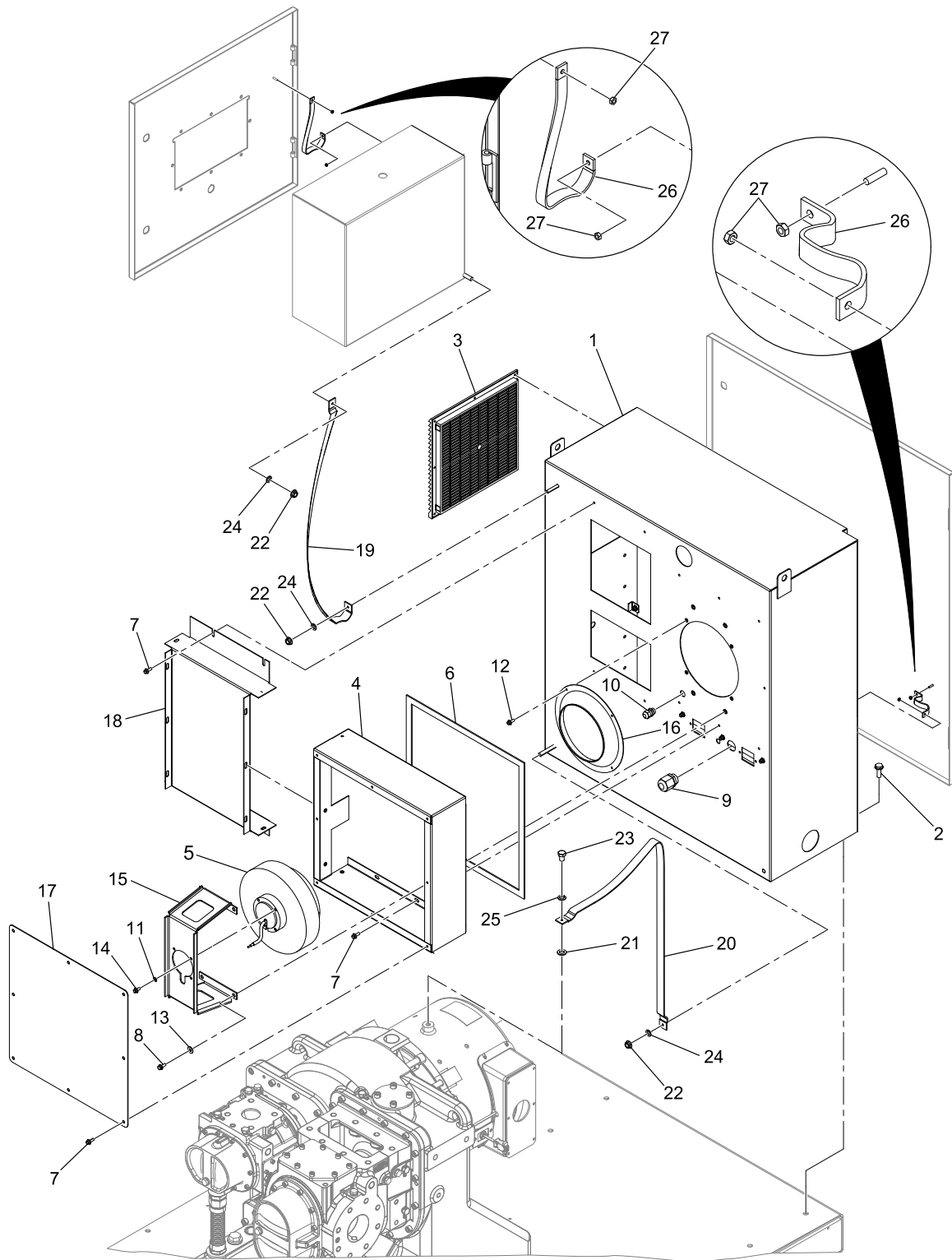
# PDM SHEET METAL (STANDARD) ASSEMBLY



**PDM SHEET METAL (STANDARD) ASSEMBLY**

<b>Item</b>	<b>Part No.</b>	<b>Description</b>	<b>Qty.</b>
1	22565980	BOX DRIVE NEMA 1, HIGH VOLTAGE	1
2	54656905	TAPTITE SCREW	4
3	54697370	AIR FILTER, ASSY PDM CABINET	1
4	22350664	HOUSING, PDM BLOWER	1
5	22417083	WHEEL, BLOWER - 280mm, W/ INTERGRAL MOTOR AND CONE	1
6	39117312	GASKET, BLOWER HOUSING SEAL	1
7	39917489	SCREW	24
8	96742689	BOLT	8
9	96954771	GLAND, CABLE	1
10	22487094	COVER, BLOWER HOUSING NO HOLE (FOR PDM BOX)	1
11	22394498	COVER, HEAT SINK	1
12	22079370	STRAP, GROUND	1
13	22222863	STRAP, GROUND	1
14	96701412	WASHER, PLAIN	1
15	96704846	NUT	4
16	96719851	SCREW	1
17	96726633	WASHER, SPRING LOCK	4
18	96739933	WASHER, SPRING LOCK	1
19	39333075	STRAP, GROUND	2
20	96703756	NUT	4
**	23011018	FOR REPLACEMENT FILTER	1
**	NOT ILLUSTRATED		

# PDM SHEET METAL (ERP 2015) ASSEMBLY

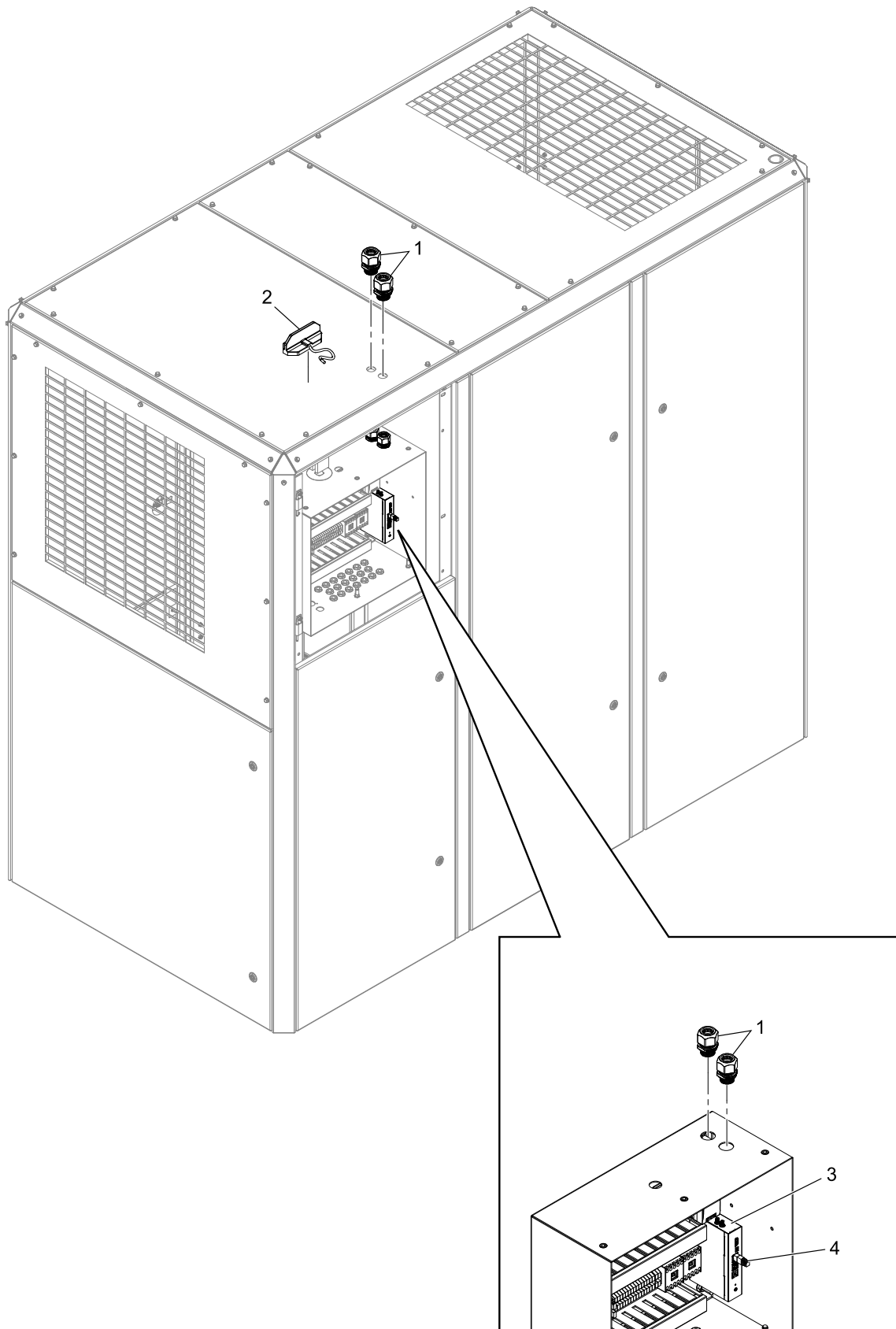


**PDM SHEET METAL (ERP 2015) ASSEMBLY**

<b>Item</b>	<b>Part No.</b>	<b>Description</b>	<b>Qty.</b>
1	47517786001	BOX DRIVE NEMA 1, HIGH VOLTAGE	1
2	54656905	TAPTITE SCREW	4
3	47539070001	AIR FILTER, ASSY PDM CABINET	1
4	47696902001	HOUSING, BLOWER	1
5	47696978001	WHEEL, BLOWER - 250mm	1
6	39117312	GASKET, BLOWER HOUSING SEAL	1
7	39917489	SCREW	26
8	96742689	BOLT	4
9	96954771	GLAND, CABLE	1
10	23635816	GLAND, CABLE	1
11	80286693	WASHER	4
12	92368687	SCREW	4
13	95922183	WASHER, PLAIN	4
14	96705058	SCREW	4
15	47696979001	SUPPORT, BLOWER	1
16	47519363001	NOZZLE, INLET BLOWER ERP2015	1
17	22487094	COVER, BLOWER HOUSING NO HOLE (FOR PDM BOX)	1
18	22394498	COVER, HEAT SINK	1
19	22079370	STRAP, GROUND	1
20	22222863	STRAP, GROUND	1
21	96701412	WASHER, PLAIN	1
22	96704846	NUT	4
23	96719851	SCREW	1
24	96726633	WASHER, SPRING LOCK	4
25	96739933	WASHER, SPRING LOCK	1
26	39333075	STRAP, GROUND	2
27	96703756	NUT	4
**	23011018	FOR REPLACEMENT FILTER	1

**	NOT ILLUSTRATED
----	-----------------

# RMS ASSEMBLY

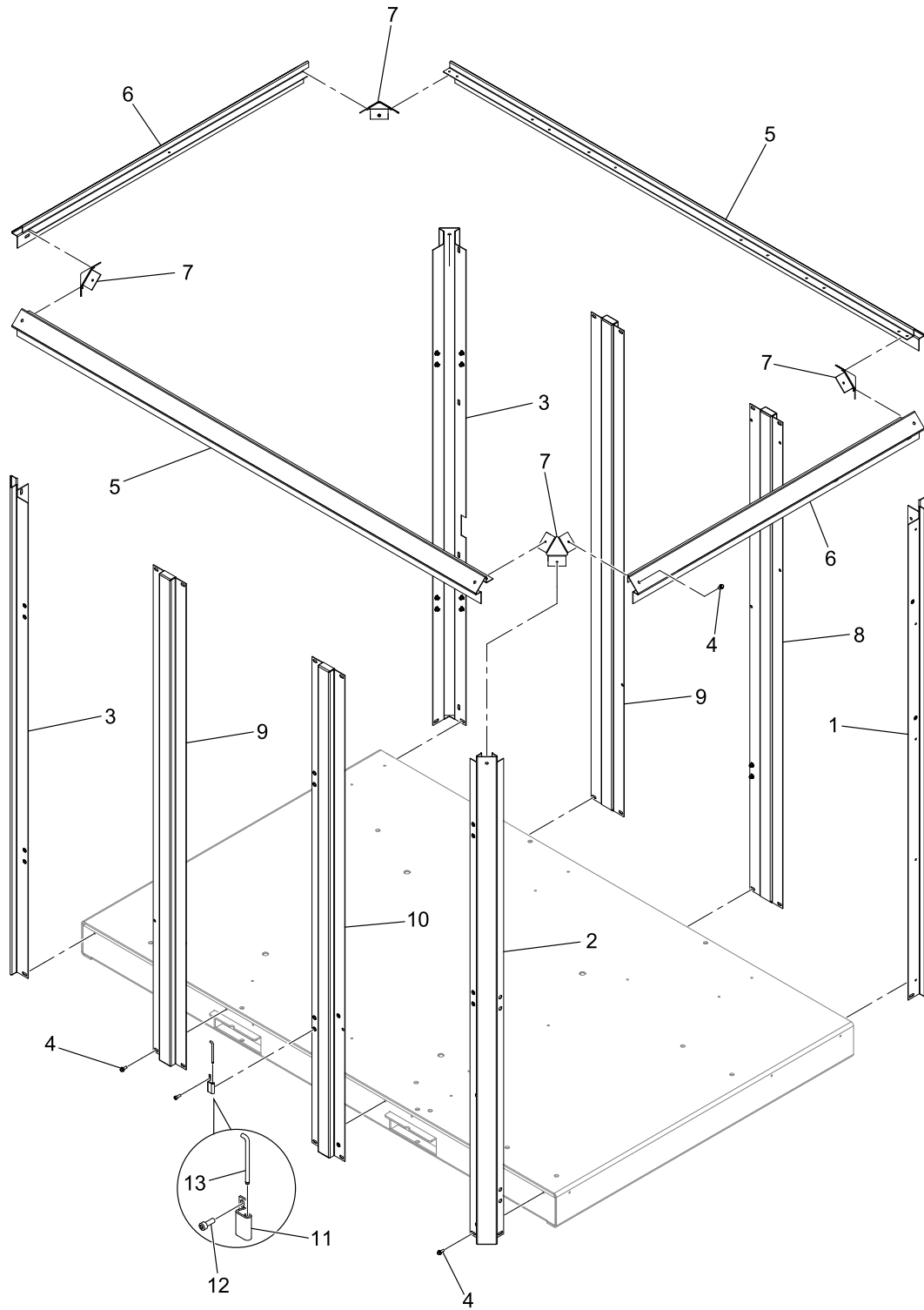




**RMS ASSEMBLY**

<b>Item</b>	<b>Part No.</b>	<b>Description</b>	<b>Qty.</b>
1	47653005001	CORD GRIP, HEYCO M4344GBH GLAND	4
2	47653003001	ANTENNA, EDGE DEVICE (RMS2)	1
3	47653004001	MODULE, EDGE DEVICE (RMS2)	1
4	47611061001	CABLE, 6 FT ETHERNET RJ45 M X 2	1
**	39146782	WIRE, 16 GA - (WHITE)	1
**	39204763	WIRE, 16 GA - BLUE	1
**	47618233001	TAPE, VHB 5952, 1 INCH W, ACRYLIC FOAM (2 SIDED)	1
**	24730301	MOUNT, CABLE TIE (SQUARE)	6
**	35268788	CABLE TIE	6
**	NOT ILLUSTRATED		
A/R	AS REQUIRED		

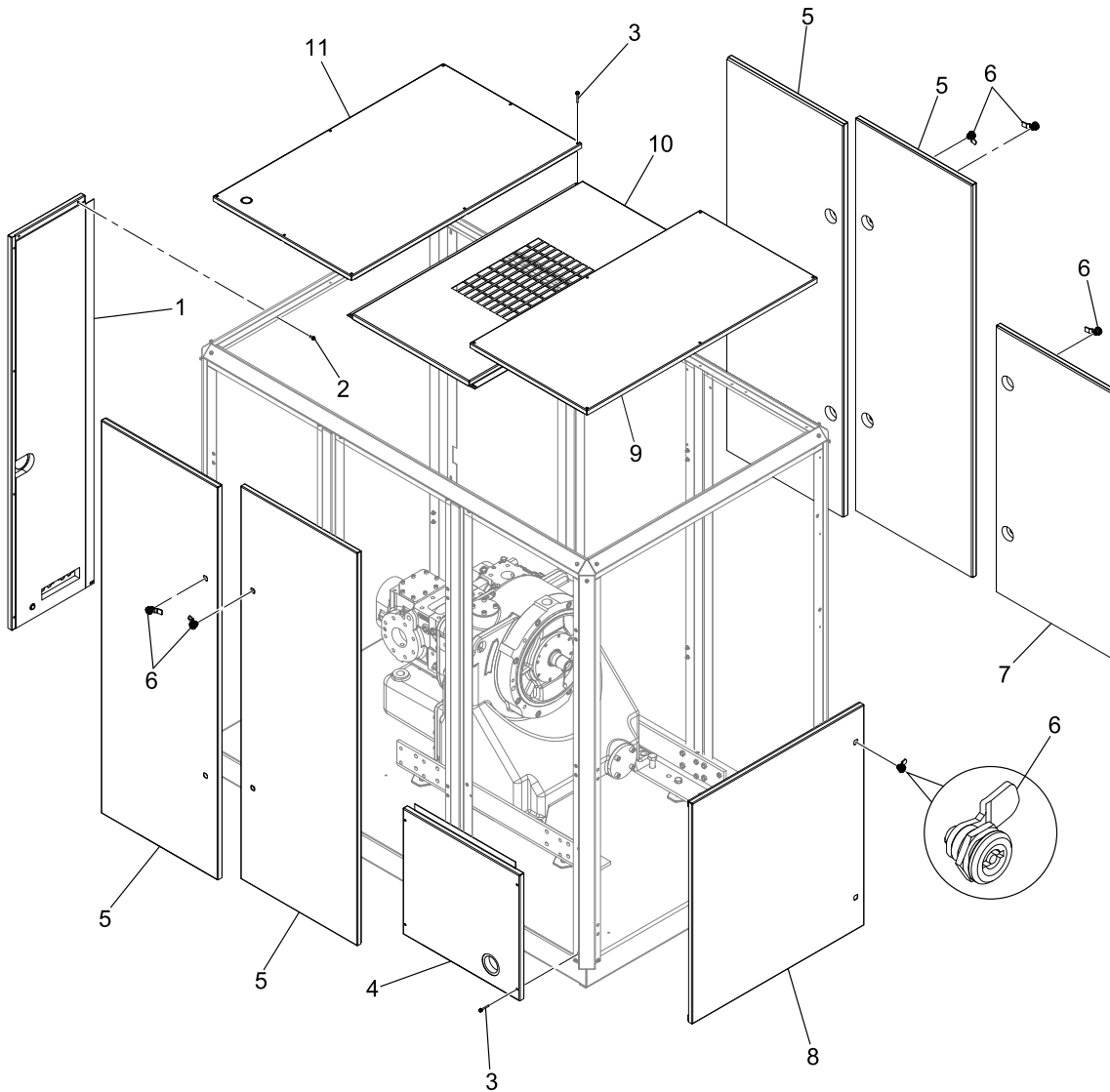
# ENCLOSURE (N55-75KW-OF) ASSEMBLY



**ENCLOSURE (N55-75KW-OF) ASSEMBLY**

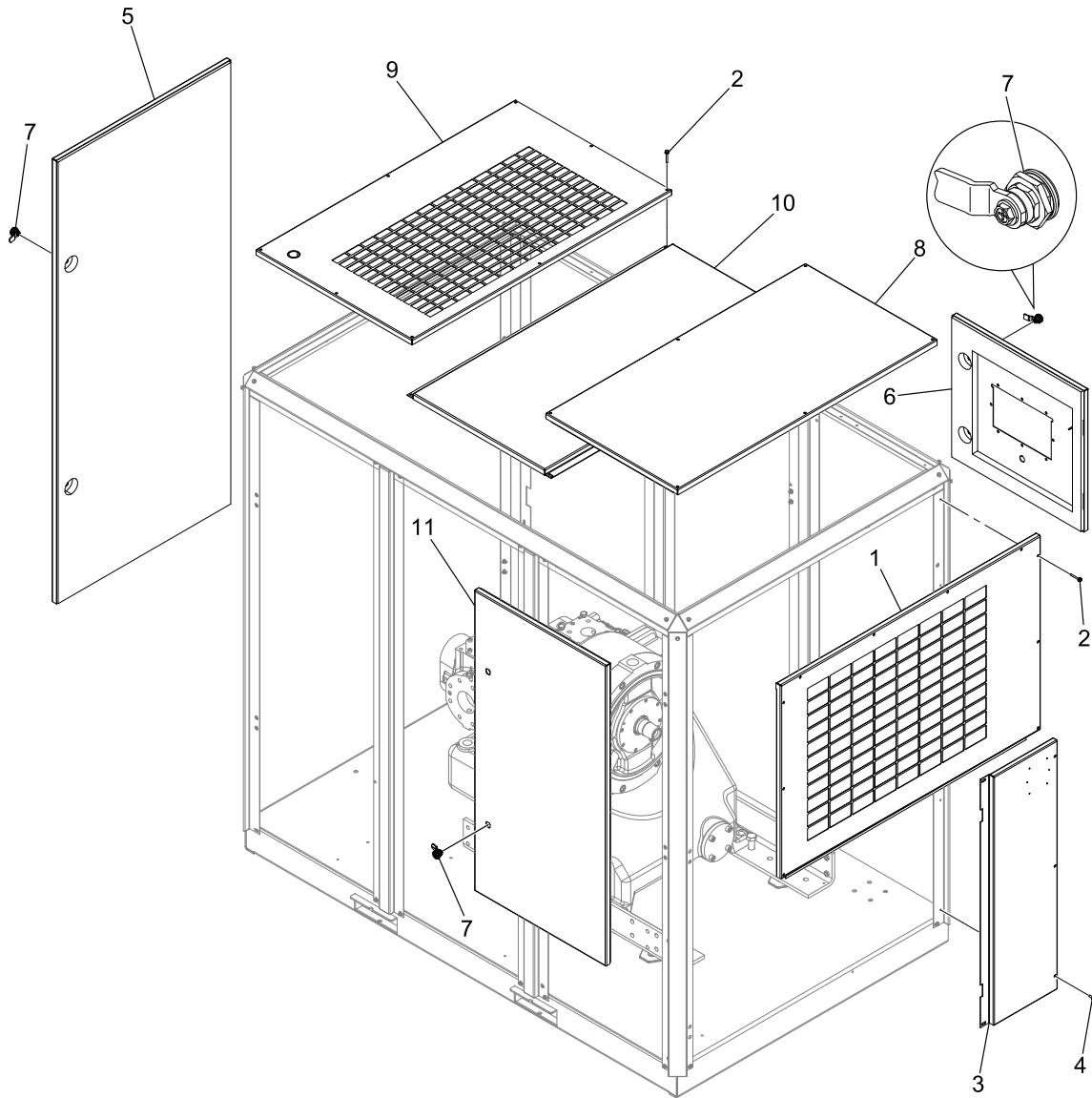
<b>Item</b>	<b>Part No.</b>	<b>Description</b>	<b>Qty.</b>
1	22316897	FRAME CORNER LEFT FRONT	1
2	22316905	FRAME CORNER LEFT REAR	1
3	22316913	FRAME CORNER RIGHT FRONT & REAR	2
4	39917489	SCREW, HEX HEAD FLANGE	36
5	22316947	FRAME, HORIZONTAL RAIL TOP FRONT & REAR	2
6	22316954	FRAME, HORIZONTAL RAIL TOP RIGHT & LEFT	2
7	54668728	CORNER PIECE (BEVELLED)	4
8	22316970	ASSEMBLY, FRAME VERTICAL NARROW AND FOAM	1
9	22369060	ASSEMBLY, FRAME VERTICAL - SEAL AND FOAM	2
10	22341838	ASSEMBLY, FRAME VERTICAL REAR FIXED AND FOAM	1
11	22159842	HINGE, PIN HALF	18
12	96743729	SCREW, SOCKET HEAD	37
13	93580140	HINGE, PIN	18

# ENCLOSURE (N55-75KW-OF) ASSEMBLY



Item	Part No.	Description	Qty.
1	47696344	ASSEMBLY, FRAME VERTICAL RIGHT WITH FOAM	1
2	39917489	SCREW, HEX HEAD FLANGE	7
3	22312110	SCREW, HEX HEAD	18
4	22342828	ASSEMBLY, PANEL POWER/AIR PANEL AND FOAM	1
	22498240	ASSEMBLY, PANEL POWER/ WATER PANEL AND FOAM	1
5	22241673	ASSEMBLY, DOOR 618 HINGE AND FOAM	4
6	23180565	LATCH, DOOR (NEMA 4)	14
7	22348023	ASSEMBLY, DOOR SHORT COMMON (SHEET METAL / FOAM)	1
8	22341994	ASSEMBLY, PANEL LEFT END BOTTOM WITH FOAM	1
9	22341820	ASSEMBLY, PANEL TOP LEFT WITH FOAM (W/C)	1
	47742153	ASSEMBLY, PANEL TOP LEFT WITH FOAM (W/C) EMEA&HELIX	1
10	22498224	ASSEMBLY, EXHAUST PANEL PANEL/FOAM (W/C)	1
11	22498232	ASSEMBLY, TOP RIGHT PANEL (W/C)	1

# ENCLOSURE (N55-75KW-OF) ASSEMBLY



Item	Part No.	Description	Qty.
1	22341960	ASSEMBLY, PANEL INTAKE, AIR COOLED	1
	22498216	ASSEMBLY, PANEL INTAKE, WATER COOLED	1
2	22312110	SCREW, HEX HEAD	27
3	22385371	ASSEMBLY, PANEL FIXED WITH FOAM	1
4	39917489	SCREW, HEX HEAD FLANGE	2
5	22339576	ASSEMBLY, DOOR 821 AND FOAM	1
6	22347967	ASSEMBLY, DOOR CONTROL BOX AND FOAM	1
7	23180565	LATCH, DOOR (NEMA 4)	4
8	22341820	ASSEMBLY, PANEL TOP LEFT WITH FOAM (A/C)	1
	47742153	ASSEMBLY, PANEL TOP LEFT WITH FOAM (A/C) EMEA & HELIX	1
9	22341895	ASSEMBLY, TOP RIGHT PANEL	1
10	22341929	ASSEMBLY, PANEL TOP CENTER WITH FOAM (A/C)	1
11	22348023	ASSEMBLY, DOOR SHORT COMMON (SHEET METAL / FOAM) (A/C)	1

# RECOMMENDED PARTS LIST

FIELD KITS	
CCN	DESCRIPTION
24852675	KIT, PORO FIELD (Xe)
42509000	KIT, REMOTE START/STOP
47551541001	KIT, REMOTE PRESS SENSOR (Xe)
42616425	KIT, RFI FILTER
23669203	KIT, OIL MANIFOLD / PIPING FIELD KIT A/C & W/C STD OIL FILTER CARBON STL OIL PPG
42646489	KIT, INTAKE PANEL FILTER
22500144	KIT, BLOWDOWN VALVE REBUILD
42612168	KIT, REMOTE INTAKE CONNECTION
23959182	KIT, A/C W/SINGLE VENTURI HOT DISCHARGE-HOC
23989254	KIT, A/C W/DOUBLE VENTURI HOT DISCHARGE-HOC
23959190	KIT, W/C W/SINGLE VENTURI HOT DISCHARGE-HOC
23989262	KIT, W/C W/DOUBLE VENTURI HOT DISCHARGE-HOC
24474678	KIT, NIRVANA OIL FREE Xe-145M CONTROLLER RETROFIT
ZS1216476	KIT, HELIX MODEM WITH ANTENNA (EMEA)

MAINTENANCE KITS		
CCN	DESCRIPTION	HOURS
42584748	KIT, MAINTENANCE	4000 Hrs
42584755	KIT, MAINTENANCE	8000 Hrs

SERVICE KITS	
CCN	DESCRIPTION
47554279001	KIT, SERVICE, INTERCOOLER COPPER TUBES (PED)
47554280001	KIT, SERVICE, INTERCOOLER STAINLESS STEEL TUBES (PED)
47553765001	KIT, SERVICE, AFTERCOOLER STAINLESS STEEL TUBES (PED)
42452219	W/C COPPER TUBE BUNDLE REPLACEMENT
42452227	W/C STAINLESS STEEL TUBE BUNDLE REPLACEMENT
54716683	MOTOR HALL EFFECT SENSOR KIT REPLACEMENT
42600924	SHAFT SEAL REPLACEMENT FIELD KIT

VSD DRIVE PARTS	
CCN	DESCRIPTION
38019360	STATOR REMOVAL TOOL
42562561	ROTOR REMOVAL TOOL HYDR VERSION
22251912	DRIVE INSTALLATION TOOL
38027827	ROTOR RETENTION TOOL
42584730	ROTOR RETENTION FIELFD KIT



