

TECHNICAL BELGIUM

Total contents : 75 liter

Useful contents : in between  $1/2$  and  $2/3$  of the total contents

Weight : 930 kg

Power of mixer motor : 6 - 4 KW

Power of chopper motor :  $3/2,2$  KW

Central mixing arm driven via timing belts.

Rotational Speed: Mixer 1st speed : 203 rpm  
2nd speed : 306 rpm

Chopper 1st speed : 1500 rpm  
2nd speed : 3000 rpm

Free height under valve outlet : 743 mm

Machine can be executed flameproof Ex(d) or increased safety (Ex(c)).

Compressed air supply min. 4 bar.

The mixer granulator Gral enables to mix dry powder wet them and to granulate in one process.

The result is that wet granulation on a second machine not necessary in most cases.

The mixing arm and choppers are top driven avoiding all packings, mechanical parts in contact with the mixed products. Besides, both shafts have in addition air-gap-sealing.

The bowl is removable on a bowlcarrier, enabling easy and quick cleaning.

The mixing arm has not to be dismantled for cleaning.

By means of several bowls, the production of the mixer can be tremendously increased.

The removability of the bowls enables to empty and to fill outside the machine eliminating at the maximum possible, all handling problems.

When a bowloutlet had been foreseen, emptying is obtained through the effect of the mixing arm, directly in the fluid-bed dryer carrier, avoiding any unmixing effect during emptying.

The hydraulic bowlmovement by means of hydraulic jacks enables to fill the bowl in low position and to empty in high position offering sufficient space under the outlet.

Automatic fixing of the bowl.

Closed bowlcover by means of a silicone ring sealing the bowl in uprise-position.

Bowlcover with inspection window and filling opening.

Several openings for automatic infeed of ingredients can be provided.

Control panel located in the side of the machine with push button controls for mixing arm and choppers.

Standard motors IP 44 Controlpanel IP 55.

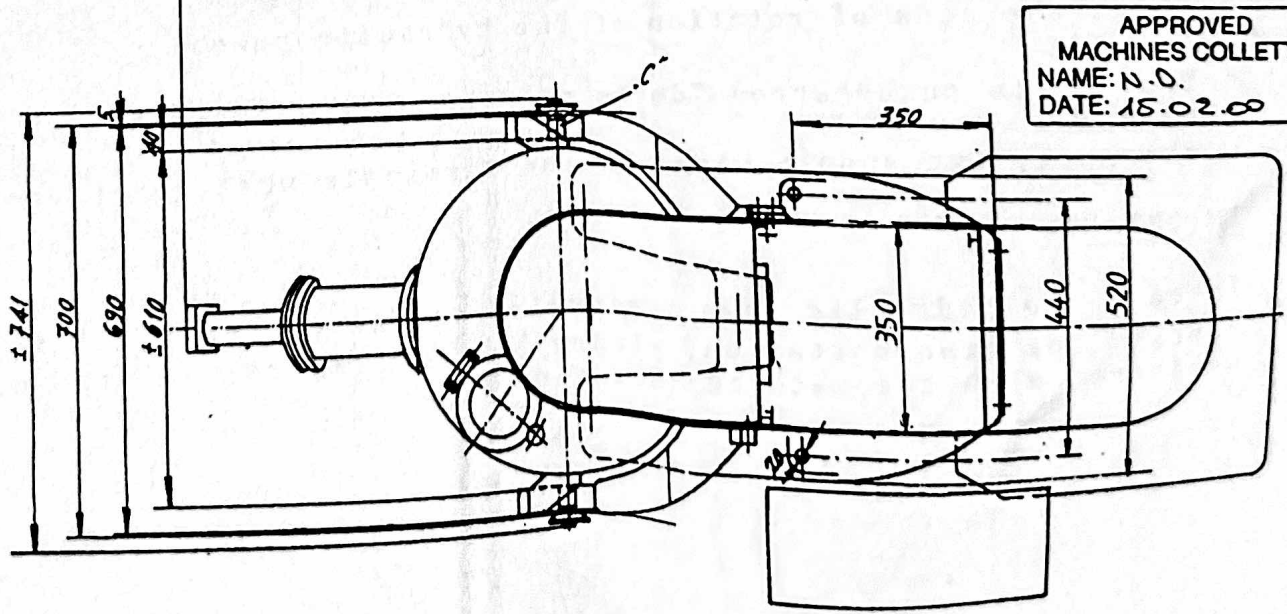
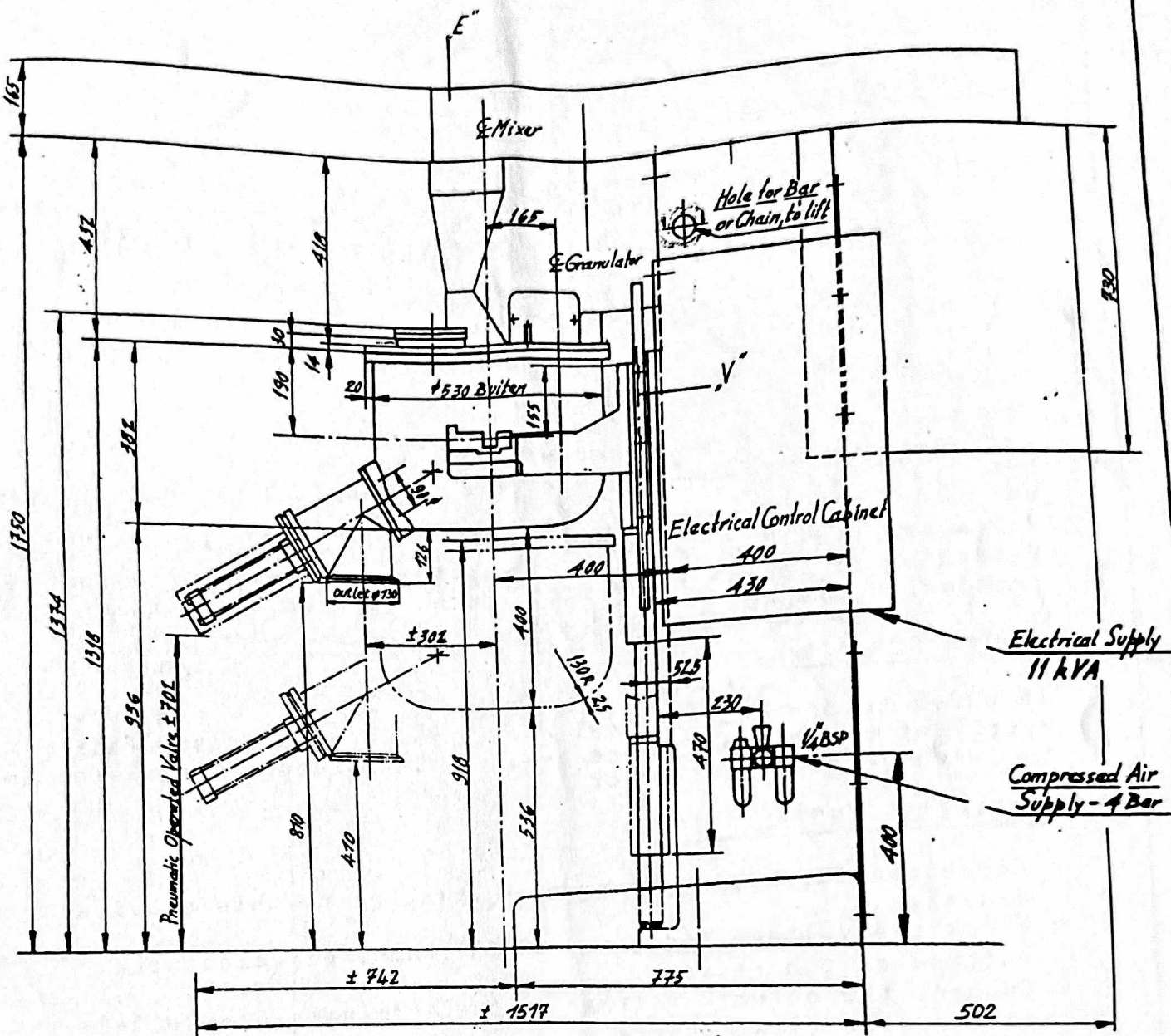
Safety stop button and timer controlling mixing operation.

Bowl, cover, outlet : ground with 220 grain (standard execution)

Mixing arm and choppers : mirror polish (standard execution)

#### Optional equipment :

- explosion proof
- vacuum
- jacketed bowls
- mirror polish
- amp.meter



APPROVED  
 MACHINES COLLETTE  
 NAME: N.O.  
 DATE: 15.02.00